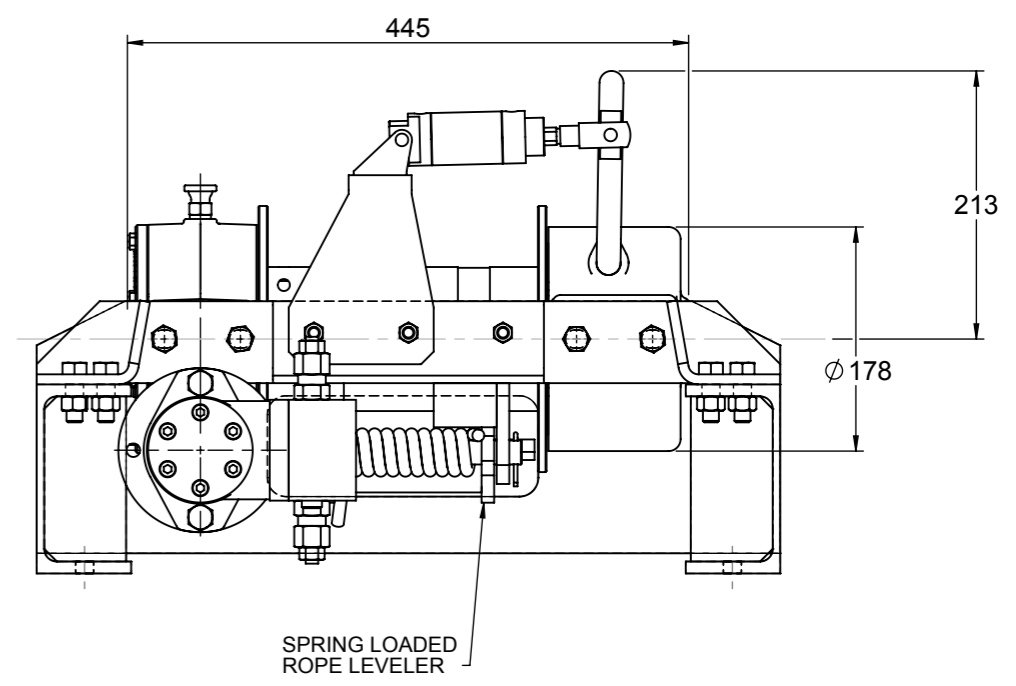
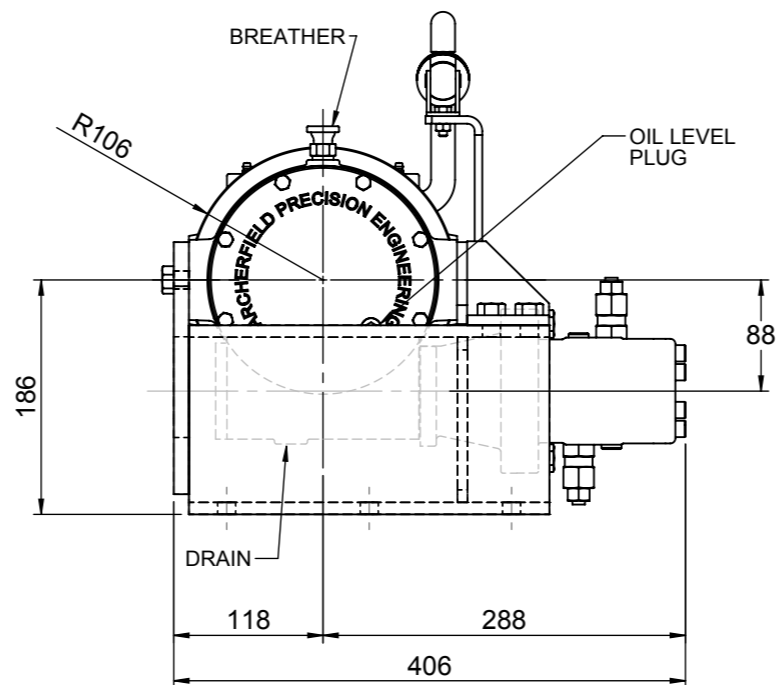
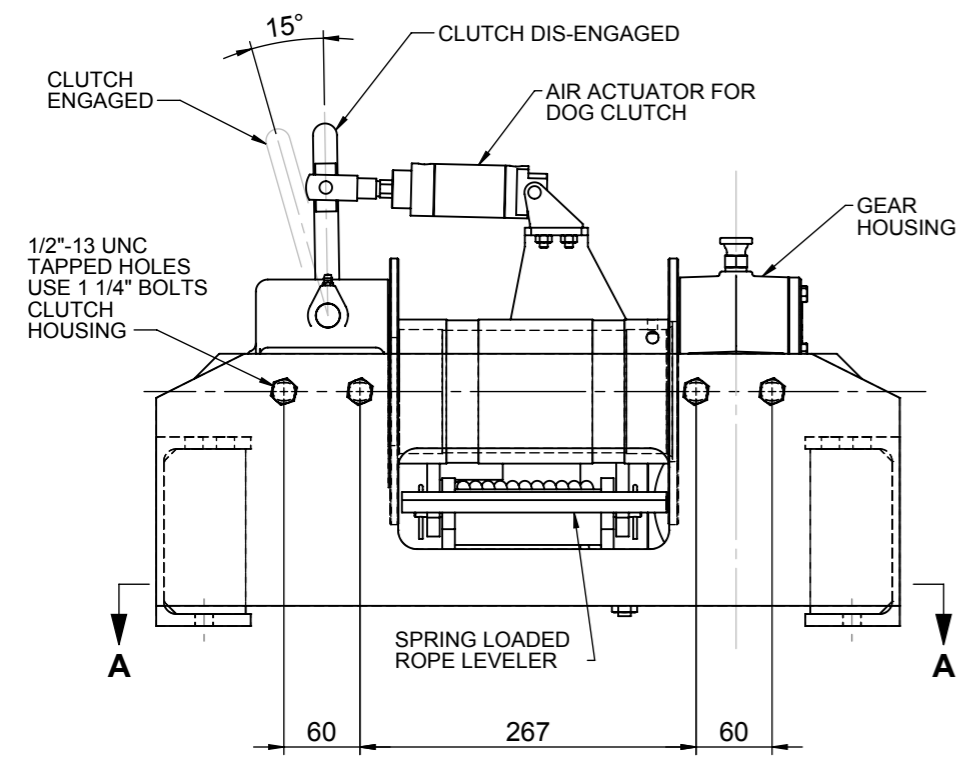


SECTION A-A
HOLD DOWN DETAIL



DWG No	REFERENCES	REV	DATE	DESCRIPTION	DRAWN	CHECK	APPD
1	2	3	4	5	6	7	8
		0	25/09/12	RELEASE ISSUE		RCT	

GEARS AND WINCHES
 2 COIN ST MOOROOKA QLD 4105
 PO BOX 206 ACACIA RIDGE QLD 4110
 Ph (07) 3875 1568
 Fx (07) 3277 4316
 Email admin@winch.com.au

COPYRIGHT RESERVED. The design detailed on this drawing is the property of Archerfield Precision Engineering and must be returned on demand. It is issued on the strict condition that excepted with our written permission it must not be copied or communicated to any third party, nor is it to be used for any purpose other than for which it was issued.

DRAWN	RCT	25-09-12	W9 BASE MOUNT WINCH HYDRAULIC RIGHT HAND DN100 x 9" DRUM WITH OVERCENTRE VALVE		
CHECKED			FOR MANUFACTURE		
MATERIAL					
MATERIAL NOTES					
FINISH					
DATE PRINTED	WEIGHT	SCALE	SHEET No.	DWG No	- REV
25/09/2012	68.6 Kg	1:6	1 OF 1		W9-0064-0