

HYDRAULIC - MECHANICAL W100 UPRIGHT WINCH

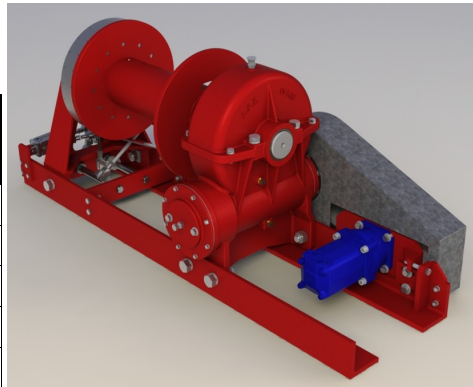
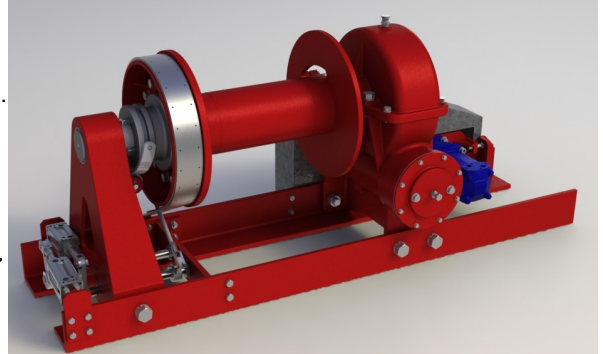
A compact, versatile, heavy duty winch mounted in a rugged frame.
Large drum diameter for extended rope life.
Hydraulic drive with brake valve. Heavy loads can be lowered in safety.
Lever operated dog clutch fitted with an air cylinder to allow remote operation.
Drag brake on the drum to prevent wire rope ballooning when freewheeling.

SPECIFICATIONS

Capacity: 445 kN (100,000 lb)
Weight: 1100kg (without rope)
Ratio: 40:1 Bare gearbox
Ratio: 52:1 Overall with chain drive
Drum \varnothing 219 mm x 553 mm
Rec. Wire Rope: 30m x \varnothing 32mm
Max Wire Rope: 97m x \varnothing 32mm
Hydraulic Oil Requirements: 200 litre/min @ 200 bar

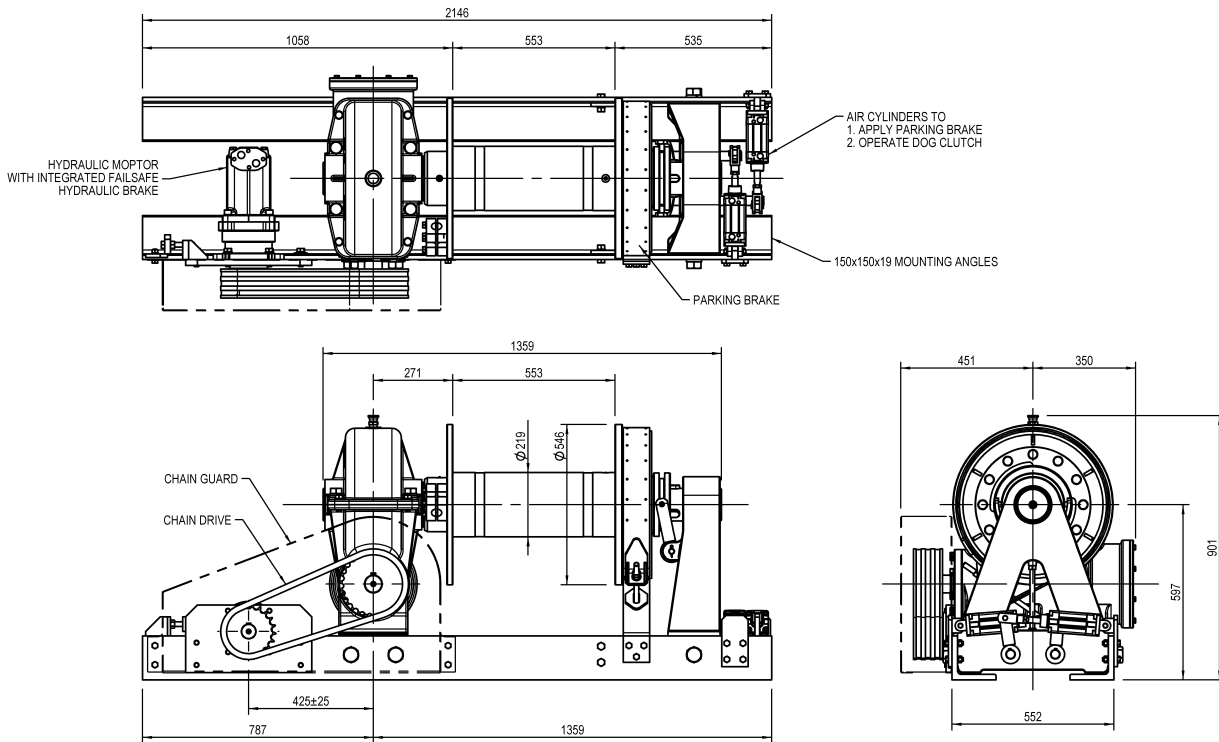


**PROUDLY MADE IN
AUSTRALIA
FULL 2 YEAR WARRANTY**



All our winches feature hardened and ground worms and bronze worm wheels for long service and reliability.

Layer	Line Pull kN	Line Speed @ 200 l/m m/min	Line Speed @ 150 l/m m/min	Total rope Length m
1	445	3.6	2.7	12.7
2	352	4.6	3.4	28.8
3	291	5.5	4.1	48.3
4	248	6.5	4.9	71.0
5	214	7.4	5.6	97.2



Your Winch Industries Distributor is:



Winch Industries Pty Ltd
2 Coin Street
Moorooka Qld 4105
PO Box 206
Acacia Ridge Qld 4110
Ph: (07) 3875 1568
Fx: (07) 3277 4316
www.winch.com.au