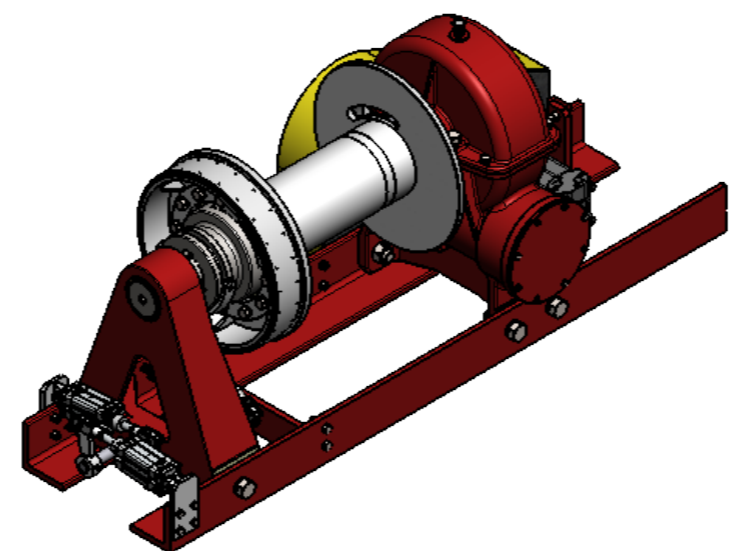
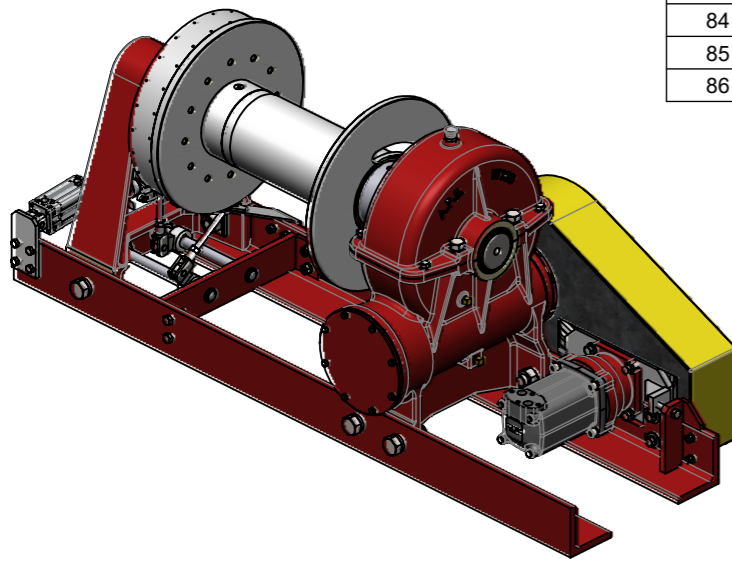
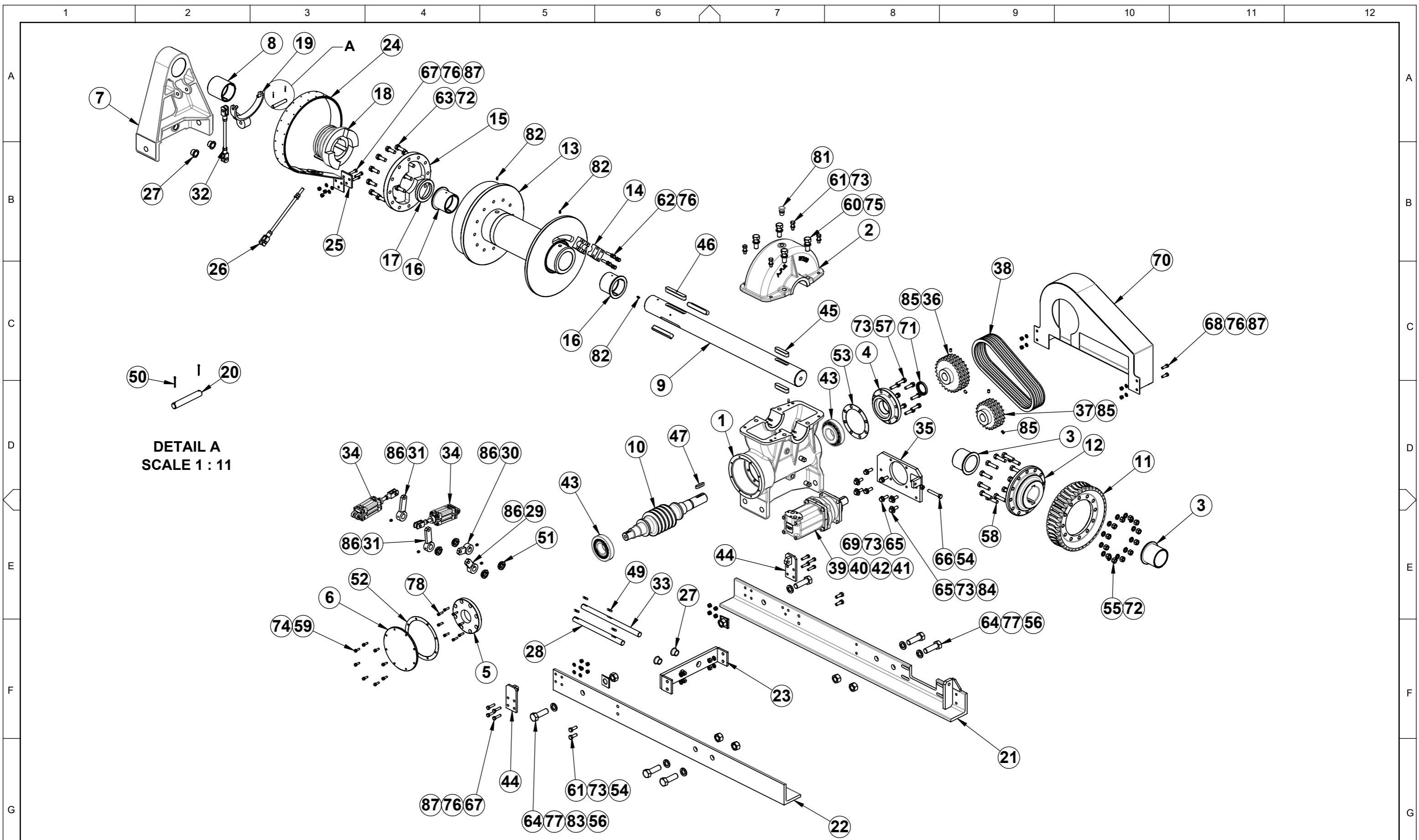


ITEM NO.	QTY.	DESCRIPTION	PART NUMBER	LENGTH	ITEM NO.	QTY.	DESCRIPTION	PART NUMBER	LENGTH
55	12	HEX NUT 0.7500-10-D-C-S			1	1	WORM BOX HOUSING - LOWER HALF	W100-0101	
56	21	HEX NUT 1/2"-13 UNC			2	1	WORM BOX HOUSING - UPPER HALF	W100-0151	
57	8	HHSS 5/8"-11 UNC x 2 1/2"	HHSS 0.3125-18x0.75		3	2	WORMBOX HOUSING BUSH	W100-0700	106.4
58	12	HEX HEAD BOLT 3/4"-10 UNC x 3"	HHSS 0.3125-18x0.75		4	1	WORM SHAFT CAP - INPUT END	W100-0200	57.2
59	8	HEX HEAD BOLT 3/8"-16 UNC x 1 1/4"	HHSS 0.3125-18x1		5	1	WORM SHAFT CAP - INTERNAL	W100-0201	38.1
60	4	HEX HEAD BOLT 1"-12 UNF x 2 3/4"	HHSS 0.3125-18x0.75		6	1	WORMBRAKE BLIND CAP	W100-0204	Ø298.5
61	8	HEX HEAD BOLT 5/8"-11x1-3/4"	HHSS 0.3125-18x0.75		7	1	END SUPPORT BRACKET	W100-0251	
62	4	HEX HEAD BOLT 1/2"-13 UNC x 2 1/2"	HHSS 0.3125-18x0.75		8	1	END BRACKET BUSH	W100-0702	127
63	12	HEX HEAD BOLT 3/4"-16 UNF x 2 1/4"	HHSS 0.3125-18x0.75		9	1	DRUM SHAFT	W100-0520	1358.9
64	6	HEX HEAD BOLT 1 1/4"-7 UNC x 4"	HHSS 0.3125-18x0.75		10	1	WORM	W100-0400	711.7
65	8	HEX HEAD BOLT 5/8"-11 UNC x 2"	HHSS 0.3125-18x0.75		11	1	WORMWHEEL	W100-0420	Ø444.5 x 108
66	1	HEX HEAD SET SCREW 5/8"-11 UNC x 4"	HHSS 0.3125-18x0.75		12	1	WORMWHEEL HUB	W100-0440	114.3
67	11	HEX HEAD BOLT 1/2"-13 UNC x 2"	HHSS 0.3125-18x0.75		13	1	WINCH DRUM WELDMENT	W100-0500	
68	4	HEX HEAD BOLT 1/2"-20 UNF x 1 1/2"	HHSS 0.3125-18x0.75		14	2	ROPE CLAMP - TOP PLATE	W100-0509	75 x 40
69	4	FLAT WASHER NARROW 5/8"			15	1	DRUM DOG CLUTCH RING	W100-0600	Ø400.1
70	1	GUARD WELDMENT	W100-0340		16	2	DRUM BUSH	W100-0701	106.4
71	1	OIL SEAL	CR24982	2.5x3.5x0.4382	17	1	DRUM SHAFT SPACER RING	W100-0530	17.5
72	24	SPRING WASHER 3/4"			18	1	DOG CLUTCH	W100-0610	165.1
73	24	5/8" SPRING WASHER			19	1	DOG CLUTCH YOKE	W100-0270	
74	8	SPRING WASHER 3/8"			20	1	CLUTCH YOKE PIVOT PIN	W100-0271	120.7
75	4	SPRING WASHER 1"			21	1	BASE ANGLE - DRIVE SIDE	W100-0300	2082.8
76	19	1/2" SPRING WASHER ZP			22	1	BASE ANGLE - WORMBRAKE SIDE	W100-0301	2082.8
77	6	SPRING WASHER 1-1/4"			23	1	WINCH BASE CROSS BRACKET	W100-0320	
78	8	SHCS 3/8"-16 UNC x 1 1/4"			24	1	BRAKE BAND ASSEMBLY	W100-0650	
79	2	DOWEL PIN 3"8 X 3/4"			25	1	BRAKE BAND CLAMP PLATE	W100-0656	90
80	2	3/4" BSP SQUARE HEAD PLUG			26	1	BRAKE PULL ROD	W100-0660	
81	1	BREATHER 3/4" BSPT			27	4	BRAKE SHAFT BUSH	T65	Length
82	3	GREASE NIPPLE 1/8" BSP			28	1	BRAKE CONTROL SHAFT	W100-0621	438.2
83	2	SQUARE TAPERED WASHER 1-1/2"			29	1	BRAKE AND CLUTCH LEVER ARM	W100-0630	
84	4	WASHER WIDE 5/8"			30	1	BRAKE AND CLUTCH LEVER ARM	W100-0630	
85	4	SOCKET SET SCREW 1/2"-13 UNC x 3/4"			31	2	CYLINDER LEVER ARM	W100-0631	
86	4	SOCKET SET SCREW 1/2"-20 UNF x 1/2"			32	1	CLUTCH PUSH ROD ASSEMBLY	W100-0640	
					33	1	CLUTCH CONTROL SHAFT	W100-0620	514.4
					34	2	NORGREN CYLINDER PRA/182063/M/50		
					35	1	MOTOR MOUNT PLATE	W100-0330	
					36	1	SPROCKET - B 27Z 16B-3 --27SB100H110L50.0R1		
					37	1	SPROCKET - B 21Z 16B-3 --21SB100H110L50.0R1		
					38	1	CHAIN	1" BS TRIPLEX x 54 PITCHES	54 PITCHES
					39	1	DANFOSS MOTOR	OMV 800	
					40	1	HYDRAULIC BRAKE	REGGIANA DG-RF/313	Length
					41	4	SPRING WASHER M16		
					42	4	SOCKET HEAD CAP SCREW M16 X 50MM		
					43	2	TIMKEN TAPER ROLLER BEARING	9380 / 9321	3" x 6.75" x 1.938"
					44	2	AIR CYLINDER FOOT MOUNT	W100-0670	
					45	2	KEY ANSI B17.1 1x1x4.4375		
					46	3	KEY ANSI B17.1 1x1x6.875		
					47	1	KEY ANSI B17.1 0.625x0.625x2.75		
					48	2	KEY ANSI B17.1 0.25x0.25x1.5		
					49	4	KEY ANSI B17.1 0.3125x0.3125x1.5		
					50	2	SPLIT PIN Ø3.2x36		
					51	4	SP-20 1 1/4 in SHAFT	SP-20	
					52	1	WORMBRAKE CAP GASKET	W100-0801	Ø298.5
					53	1	WORM SHAFT CAP GASKET	W100-0800	Ø235
					54	5	HEX NUT 5/8"-11 UNC		



				GEARS AND WINCHES			DRAWN IRH		W100 WINCH WITHOUT WORMBRAKE PARTS LISTING								
				2 COIN ST MOOROOKA QLD 4105 PO BOX 206 ACACIA RIDGE QLD 4110 Ph (07) 3875 1568 Fx (07) 3277 4316 Email admin@winch.com.au			CHECKED										
							MATERIAL		FOR MANUFACTURE								
							MATERIAL NOTES										
							FINISH		W100-0003-0								
							DATE PRINTED 3/09/2018						WEIGHT 1049 Kg		SCALE 1:20		SHEET No. 1 OF 2
DWG No		REFERENCES		REV		DATE		DESCRIPTION		DRAWN		CHECK		APPD			
1		2		3		4		5		6		7		8		9	



DETAIL A
SCALE 1 : 11

GEARS AND WINCHES

2 COIN ST MOOROOKA QLD 4105
PO BOX 206 ACACIA RIDGE QLD 4110
Ph (07) 3875 1568
Fx (07) 3277 4316
Email admin@winch.com.au

COPYRIGHT RESERVED. The design detailed on this drawing is the property of Archerfield Precision Engineering and must be returned on demand. It is issued on the strict condition that excepted to any third party, nor is it to be used for any purpose other than for which it was issued.

DRAWN	IRH
CHECKED	
MATERIAL	
MATERIAL NOTES	
FINISH	
DATE PRINTED	WEIGHT
3/09/2018	1049 Kg

W100 WINCH WITHOUT WORMBRAKE EXPLODED ASSEMBLY PARTS LIST			
FOR MANUFACTURE			
SCALE	SHEET No.	DWG No	- REV
1:22	2 OF 2	W100-0003-0	

DWG No	REFERENCES	REV	DATE	DESCRIPTION	DRAWN	CHECK	APPD
1	2	3	03/09/18	ORIGINAL ISSUE	IRH		