

# 12V OR 24V ELECTRIC EW8 LOW MOUNT WINCH

A compact, versatile, heavy duty winch. Ideal for application such as:

- Recovery
- Tilt trays and slide backs
- Telecommunications
- Mine Sites
- Logging
- Tractors



**PROUDLY MADE IN AUSTRALIA**  
**FULL 2 YEAR WARRANTY**

12v or 24v electric drive.

Complete with reversing solenoid control pack with plug in hand control.

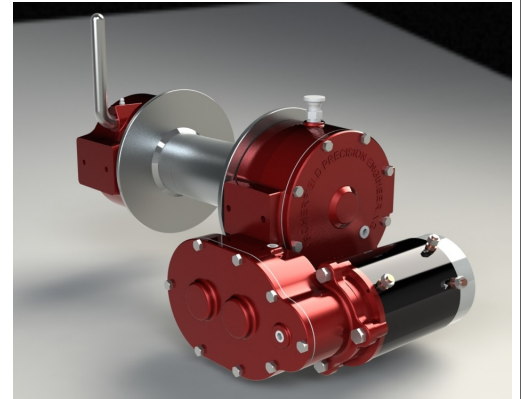
Optional wireless remote control.

Lever operated dog clutch. Large drum diameter to extend rope life.

Drag brake on the drum to prevent wire rope ballooning when freewheeling.

Optional wire rope, wormbrake and various mounting angles are available.

We can produce custom designs if the standard winch just won't do.



## SPECIFICATIONS

Capacity: 35.6 kN (8,000 lb)

Weight: 40kg (without rope)

Ratio: 462:1

Rec. Wire Rope: 30m x Ø8mm

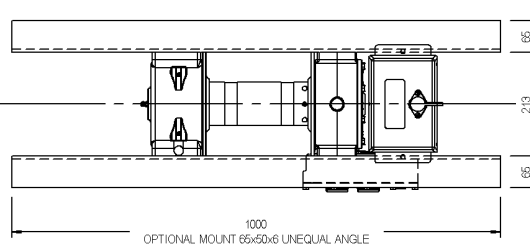
Max Wire Rope: 93m x Ø8mm  
on 291 mm drum

214 mm drum is standard

PERFORMANCE				
	12 Volt		24 Volt	
Bare Drum (Layer 1)				
Line Pull	No Load	35.6 kN	No Load	35.6 kN
Line Speed	3.9 m/min	1.2 m/min	4.1 m/min	1.4 m/min
Current	50 Amps	250 Amps	30 Amps	120 Amps
Full Drum (Layer 6)				
Line Pull	No Load	23.8 kN	No Load	23.8 kN
Line Speed	5.8 m/min	1.8 m/min	6.1 m/min	2.1 m/min
Current	50 Amps	250 Amps	30 Amps	120 Amps



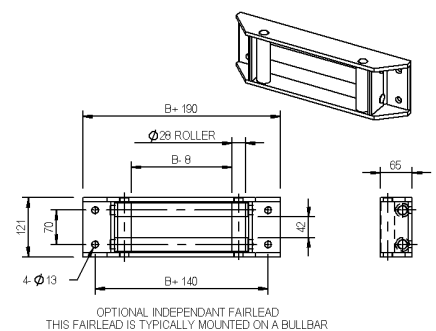
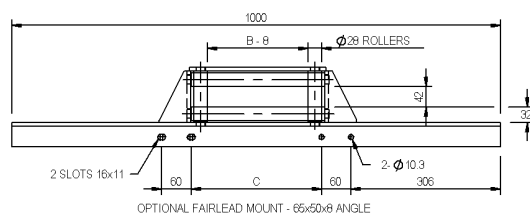
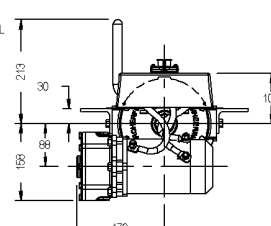
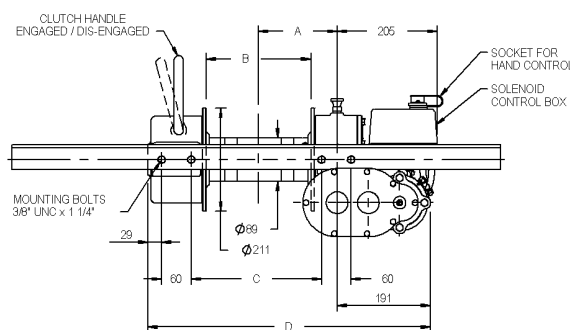
All our winches feature hardened and ground worms and bronze worm wheels for long service and reliability.



DIMENSIONS ARE IN mm  
ANGLE MOUNTS ARE OPTIONAL  
STANDARD DRUM DIAMETER ON ALL MODELS IS 69mm

WINCH MODEL	A	B	C	D
291mm DRUM	198	291	343	655
214mm DRUM	180	214	267	579
138mm DRUM	122	138	191	503

ROPE LENGTH CAPACITY				
LAYER	PITCH Ø mm	291mm DRUM	214mm DRUM	138mm DRUM
		CUMMULATIVE LENGTH m	CUMMULATIVE LENGTH m	CUMMULATIVE LENGTH m
1	97	11.1	8.2	5.3
2	113	24.0	17.6	11.4
3	129	38.7	28.5	18.4
4	145	55.3	40.7	26.2
5	161	73.7	54.2	34.9
6	177	93.9	69.1	44.5



Your Winch Industries Distributor is:



Winch Industries Pty Ltd  
2 Coin Street  
Moorooka Qld 4105  
PO Box 206  
Acacia Ridge Qld 4110  
Ph: (07) 3875 1568  
Fx: (07) 3277 4316  
www.winch.com.au