

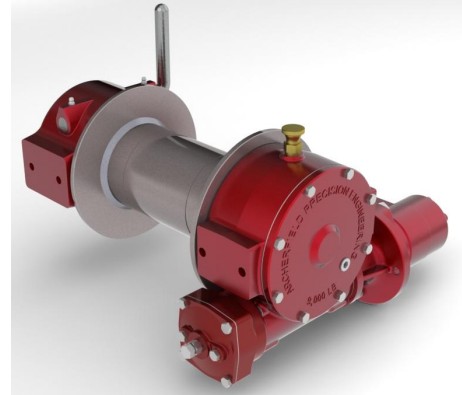
# MECHANICAL - HYDRAULIC W9 LOW MOUNT WINCH

A compact, versatile, heavy duty winch. Ideal for application such as:

- Recovery
- Tilt trays and slide backs
- Telecommunications
- Mine Sites
- Logging
- Tractors



**PROUDLY MADE IN AUSTRALIA**  
**FULL 2 YEAR WARRANTY**



Mechanical or Hydraulic drive.  
Can be assembled Right Hand or Left Hand.  
Lever operated dog clutch. Large drum diameter to extend rope life.  
Drag brake on the drum to prevent wire rope ballooning when freewheeling.  
Optional wire rope, wormbrake and various mounting angles are available.  
We can produce custom designs if the standard winch just won't do.

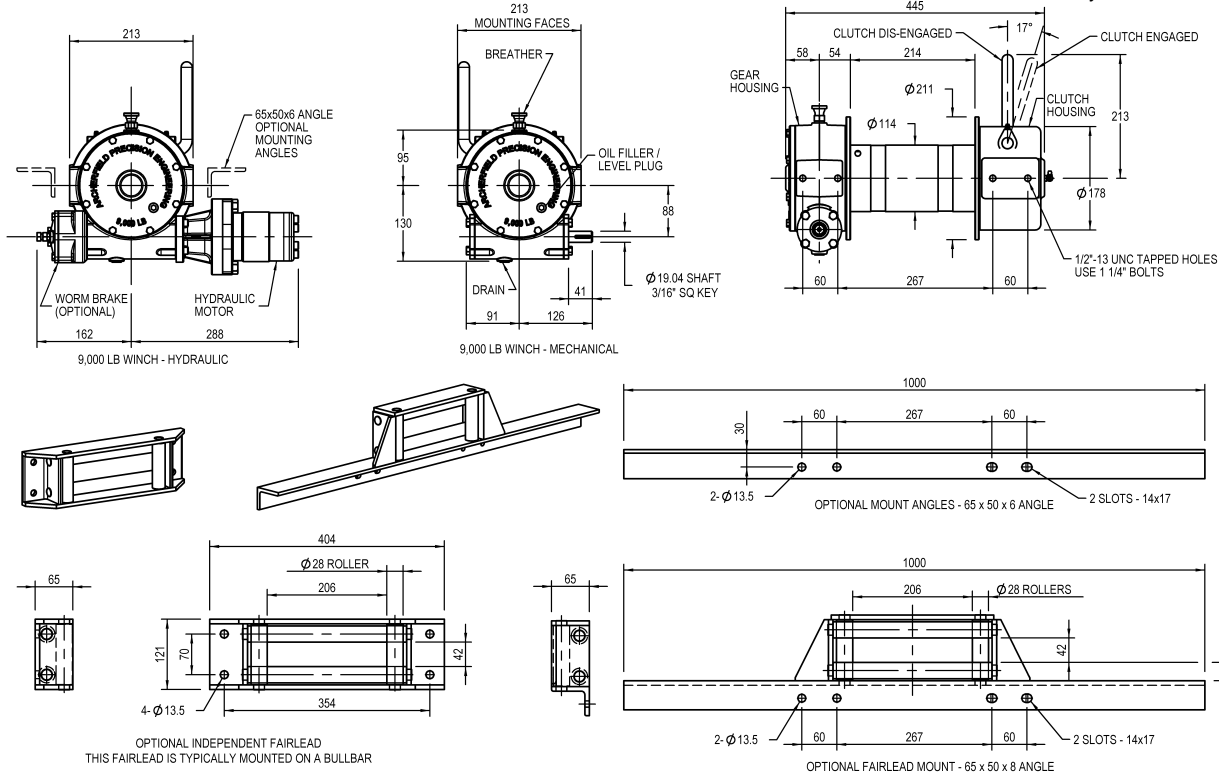
## SPECIFICATIONS

Capacity: 40.0 kN (9,000 lb)  
Weight: 37kg (without rope)  
Ratio: 40:1  
Rec. Wire Rope: 30m x Ø9mm  
Max Wire Rope: 59m x Ø9mm  
Hydraulic Oil Requirements  
75 litre/min @ 132 bar

Layer	Line Pull kN	Line Speed @ 75 l/m m/min	Line Speed @ 60 l/m m/min	Total rope Length m
1	40.0	8.3	6.6	9.2
2	34.9	9.6	7.6	19.7
3	31.0	10.8	8.6	31.6
4	27.8	12.0	9.6	44.8
5	25.3	13.3	10.6	59.4



All our winches feature hardened and ground worms and bronze worm wheels for long service and reliability.



Your Winch Industries Distributor is:



Winch Industries Pty Ltd  
2 Coin Street  
Moorooka Qld 4105  
PO Box 206  
Acacia Ridge Qld 4110  
Ph: (07) 3875 1568  
Fx: (07) 3277 4316  
www.winch.com.au