

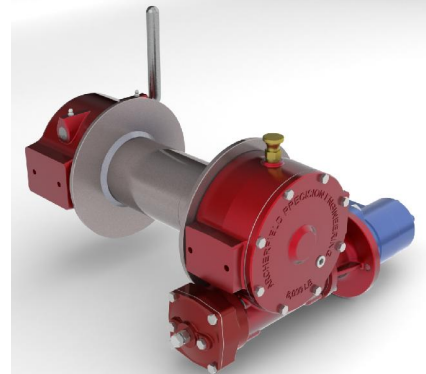
MECHANICAL - HYDRAULIC W8 LOW MOUNT WINCH

A compact, versatile, heavy duty winch. Ideal for application such as:

- Recovery
- Tilt trays and slide backs
- Telecommunications
- Mine Sites
- Logging
- Tractors



PROUDLY MADE IN AUSTRALIA
FULL 2 YEAR WARRANTY



Mechanical or Hydraulic drive.
Can be assembled Right Hand or Left Hand.
Lever operated dog clutch. Large drum diameter to extend rope life.
Drag brake on the drum to prevent wire rope ballooning when freewheeling
Optional wire rope, wormbrake and various mounting angles are available
We can produce custom designs if the standard winch just won't do

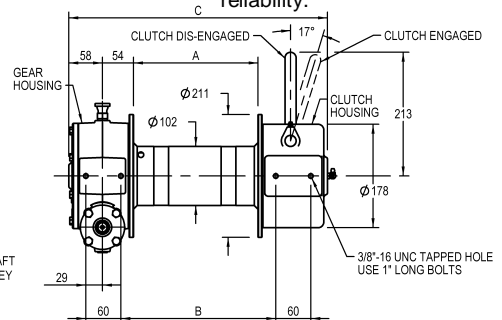
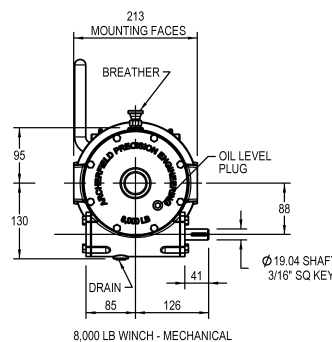
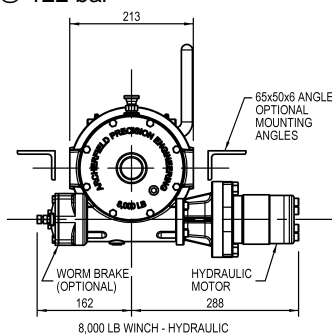
SPECIFICATIONS

Capacity: 35.6 kN (8,000 lb)
Weight: 37kg (without rope)
Standard Ratio: 50:1
Other ratios available: 25:1 30.5:1 40:1
Rec. Wire Rope: 30m x Ø9mm
Max Wire Rope: 69m x Ø9mm (214 drum)
Hydraulic Oil Requirements
75 litre/min @ 122 bar

Layer	Line Pull kN	Line Speed @ 75 l/m m/min	Line Speed @ 55 l/m m/min
1	35.6	9.6	6.9
2	30.6	11.2	8.1
3	26.9	12.8	9.2
4	23.9	14.4	10.4
5	21.6	16.0	11.5
6	19.7	17.7	12.7

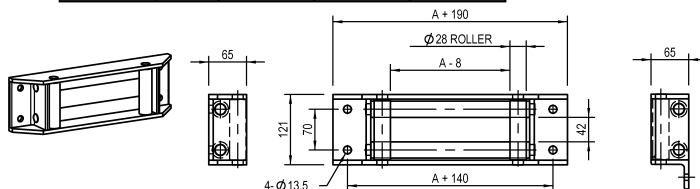


All our winches feature hardened and ground worms and bronze worm wheels for long service and reliability.



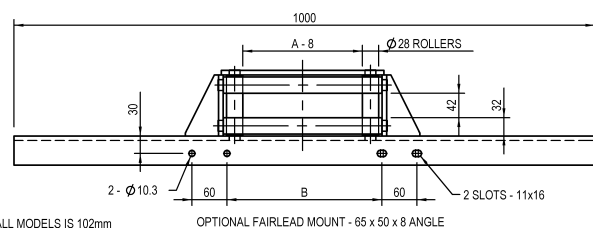
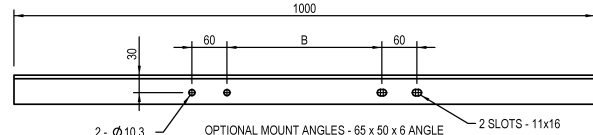
ROPE LENGTH CAPACITY				
LAYER	PITCH Ø mm	291mm DRUM	214mm DRUM	138mm DRUM
		CUMMULATIVE LENGTH m	CUMMULATIVE LENGTH m	CUMMULATIVE LENGTH m
1	111	11.3	8.3	5.3
2	129	24.4	17.9	11.6
3	147	39.3	28.9	18.6
4	165	56.1	41.2	26.6
5	183	74.7	54.9	35.4
6	201	95.1	69.9	45.1

WINCH MODEL	A	B	C
291mm DRUM	291	343	522
214mm DRUM	214	267	446
138mm DRUM	138	191	369



OPTIONAL INDEPENDENT FAIRLEAD
THIS FAIRLEAD IS TYPICALLY MOUNTED ON A BULLBAR

DIMENSIONS ARE IN mm
ANGLE MOUNTS ARE OPTIONAL
STANDARD DRUM DIAMETER ON ALL MODELS IS 102mm



Your Winch Industries Distributor is:



Winch Industries Pty Ltd
2 Coin Street
Moorooka Qld 4105
PO Box 206
Acacia Ridge Qld 4110
Ph: (07) 3875 1568
Fx: (07) 3277 4316
www.winch.com.au