

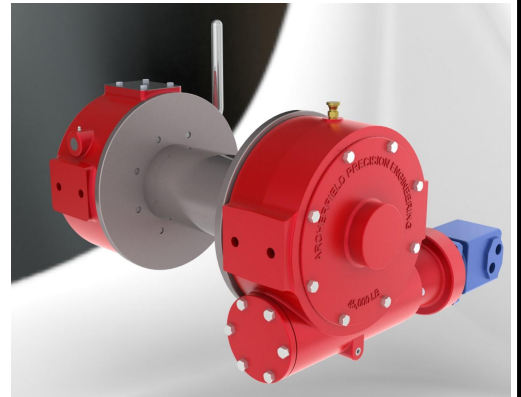
MECHANICAL - HYDRAULIC W45 LOW MOUNT WINCH

A compact, versatile, heavy duty winch. Ideal for application such as:

- Recovery
- Tilt trays and slide backs
- Telecommunications
- Mine Sites
- Logging
- Tractors



PROUDLY MADE IN AUSTRALIA
FULL 2 YEAR WARRANTY



Mechanical or Hydraulic drive.
Can be assembled Right Hand or Left Hand.
Lever operated dog clutch. Optional pneumatic actuator.
Large diameter drum for extended rope life.
Drag brake on the drum to prevent wire rope ballooning when freewheeling.
Optional wire rope, wormbrake and various mounting angles are available.
We can produce custom designs if the standard winch just won't do.

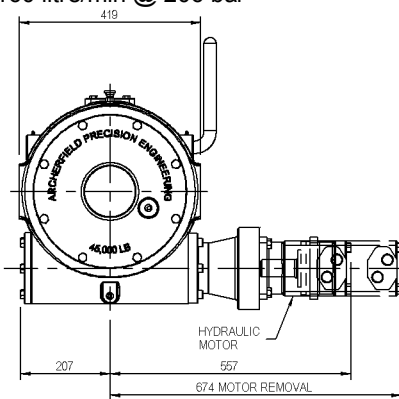
SPECIFICATIONS

Capacity: 200 kN (45,000 lb)
Weight: 385kg (without rope)
Ratio: 42:1
Rec. Wire Rope: 45m x Ø22mm
Max Wire Rope: 75m x Ø22mm
Hydraulic Oil Requirements
160 litre/min @ 206 bar

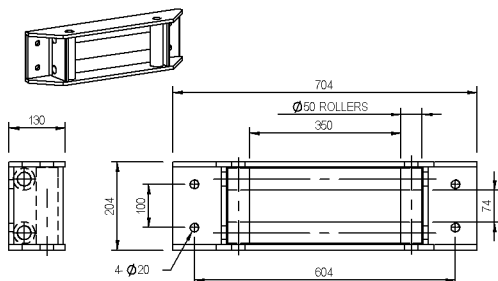
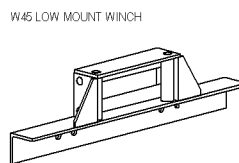
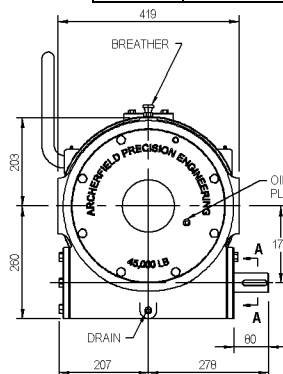
Layer	Line Pull kN	Line Speed @ 160 l/m m/min	Total rope Length m
1	200	6.7	9.7
2	164	8.2	21.7
3	139	9.8	35.9
4	121	11.3	52.3
5	107	12.9	70.9



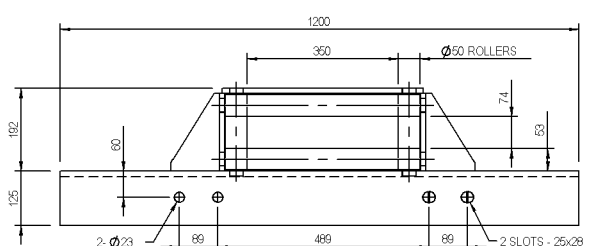
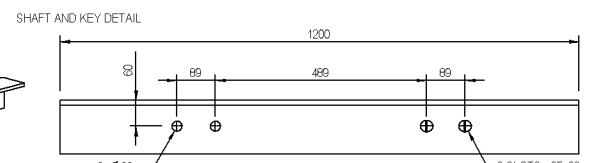
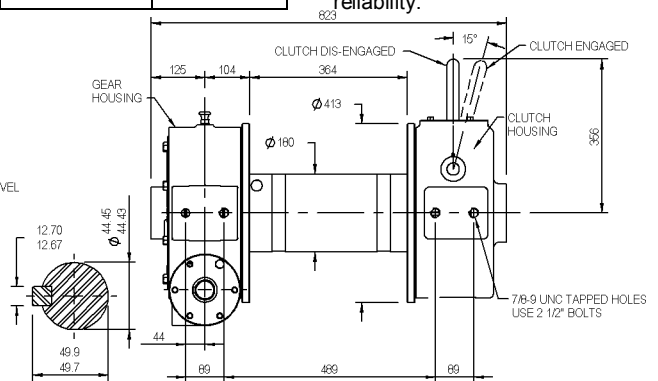
All our winches feature hardened and ground worms and bronze worm wheels for long service and reliability.



W45 LOW MOUNT HYDRAULIC WINCH



OPTIONAL INDEPENDENT FAIRLEAD
THIS FAIRLEAD IS TYPICALLY MOUNTED ON A BULLBAR



Your Winch Industries Distributor is:



Winch Industries Pty Ltd
2 Coin Street
Moorooka Qld 4105
PO Box 206
Acacia Ridge Qld 4110
Ph: (07) 3875 1568
Fx: (07) 3277 4316
www.winch.com.au