

# MECHANICAL - HYDRAULIC W30 Low MOUNT WINCH

A compact, versatile, heavy duty winch. Ideal for application such as:

- Recovery
- Tilt trays and slide backs
- Telecommunications
- Mine Sites
- Logging
- Tractors



**PROUDLY MADE IN  
AUSTRALIA  
FULL 2 YEAR WARRANTY**



Mechanical or Hydraulic drive.  
Can be assembled Right Hand or Left Hand.  
Lever operated dog clutch. Large drum diameter for extended rope life.  
Drag brake on the drum to prevent wire rope ballooning when freewheeling.  
Optional wire rope, wormbrake and various mounting angles are available.  
We can produce custom designs if the standard winch just won't do.

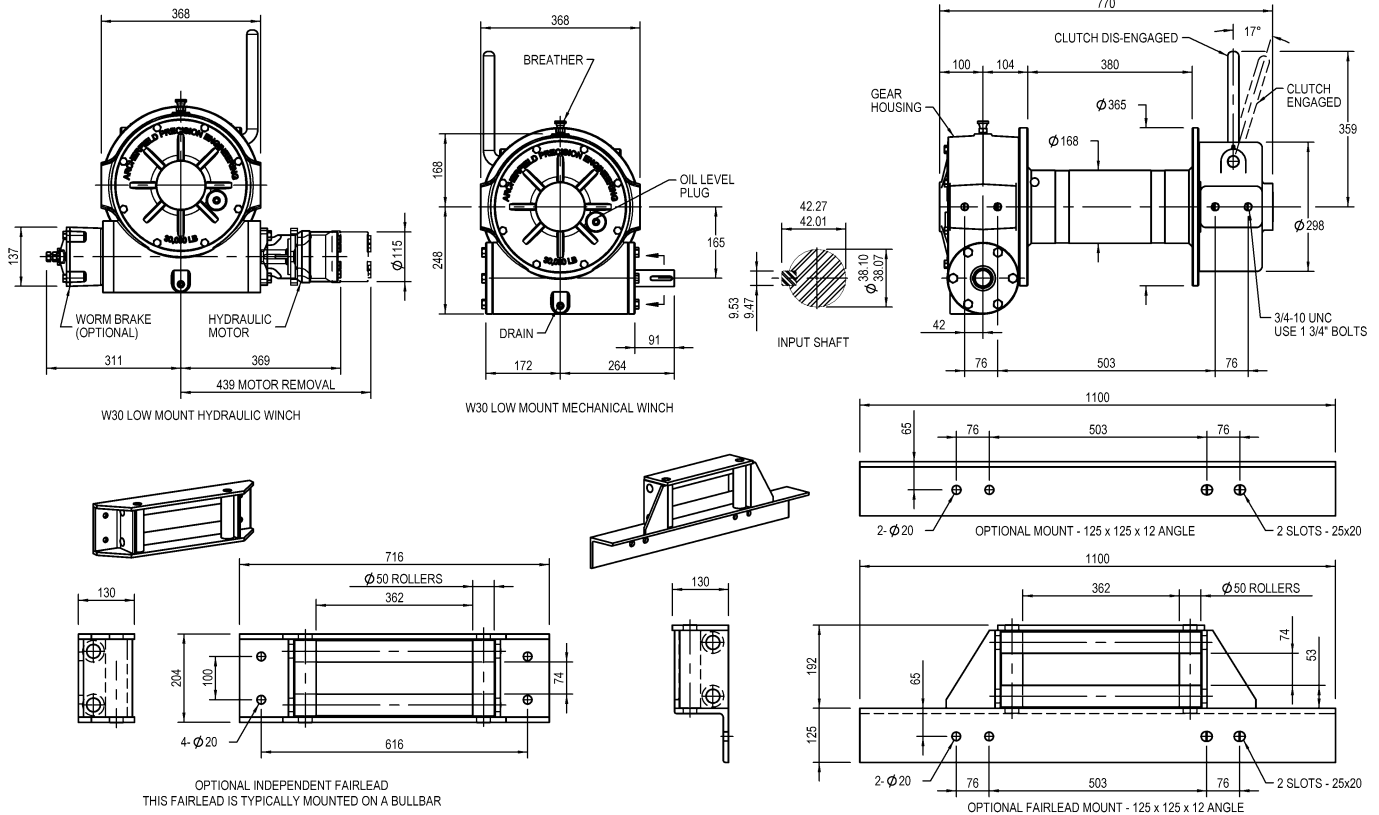
## SPECIFICATIONS

Capacity: 133.4 kN (30,000 lb)  
Weight: 180kg (without rope)  
Ratio: 38:1  
Rec. Wire Rope: 30m x Ø18mm  
Max Wire Rope: 85m x Ø18mm  
Hydraulic Oil Requirements  
90 litre/min @ 160/190 bar

Layer	Line Pull kN	Line Speed 250cc motor at 190 bar MPM	Line Speed 315cc motor at 160 bar MPM	Total rope Length m
1	133.4	4.8	4.0	12.3
2	111.8	5.6	4.8	27.1
3	96.2	6.4	5.6	44.2
4	84.4	7.2	6.4	63.7
5	75.2	8.0	7.2	85.6



All our winches feature hardened and ground worms and bronze worm wheels for long service and reliability.



Your Winch Distributor is:

**GEARS AND  
WINCHES**

## GEARS AND WINCHES

A registered trading name of  
Winch Industries Pty Ltd  
2 Coin Street  
Mooroooka Qld 4105  
Ph: (07) 3875 1568  
Fx: (07) 3277 4316  
[www.winch.com.au](http://www.winch.com.au)