

# HYDRAULIC - MECHANICAL W100 UPRIGHT WINCH

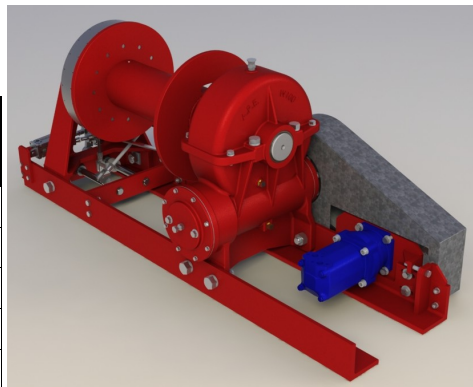
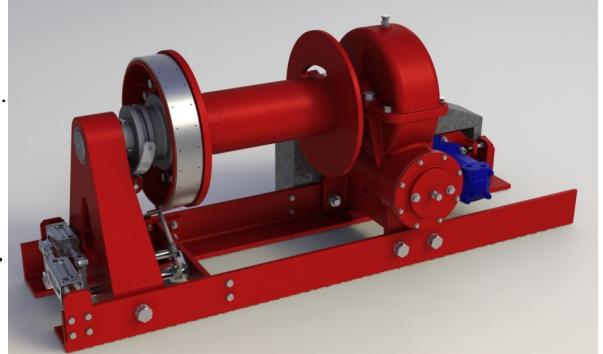
A compact, versatile, heavy duty winch mounted in a rugged frame.  
Large drum diameter for extended rope life.  
Hydraulic drive with brake valve. Heavy loads can be lowered in safety.  
Lever operated dog clutch fitted with an air cylinder to allow remote operation.  
Drag brake on the drum to prevent wire rope ballooning when freewheeling.

## SPECIFICATIONS

Capacity: 445 kN (100,000 lb)  
Weight: 1100kg (without rope)  
Ratio: 40:1 Bare gearbox  
Ratio: 52:1 Overall with chain drive  
Drum  $\varnothing$ 219 mm x 553 mm  
Rec. Wire Rope: 30m x  $\varnothing$ 32mm  
Max Wire Rope: 97m x  $\varnothing$ 32mm  
Hydraulic Oil Requirements: 200 litre/min @ 200 bar

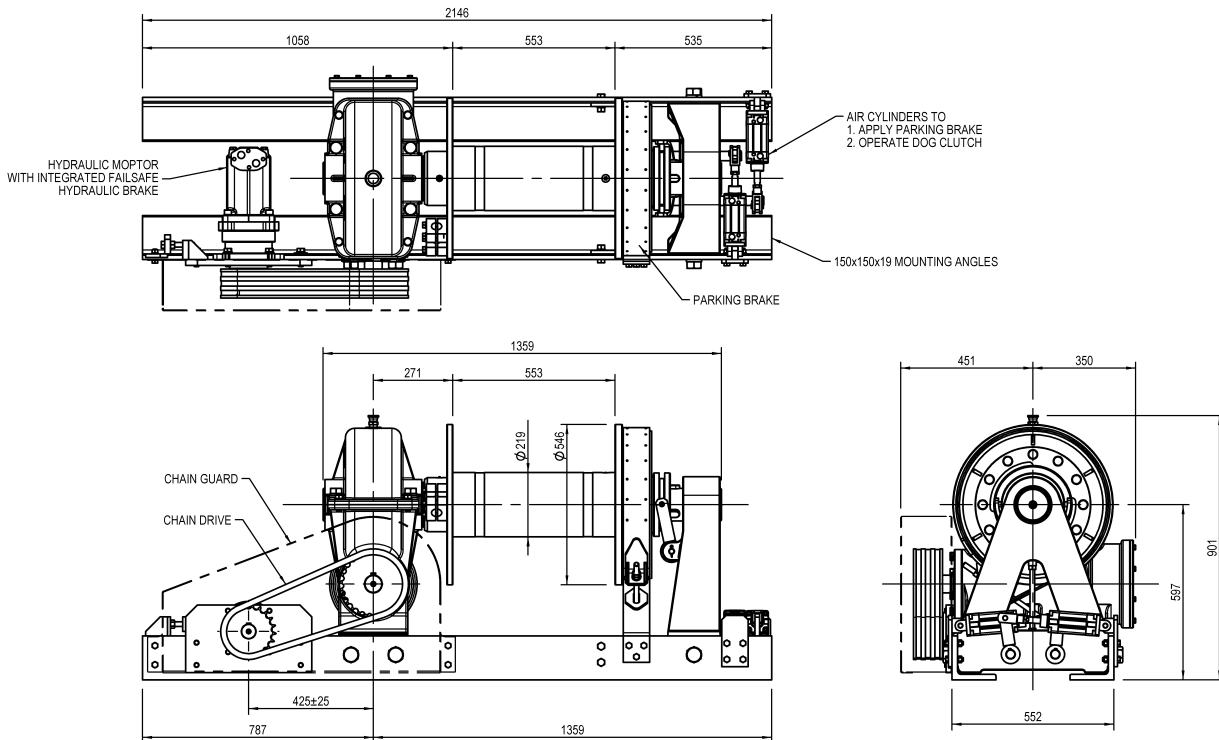


**PROUDLY MADE IN  
AUSTRALIA  
FULL 2 YEAR WARRANTY**



All our winches feature hardened and ground worms and bronze worm wheels for long service and reliability.

Layer	Line Pull kN	Line Speed @ 200 l/m m/min	Line Speed @ 150 l/m m/min	Total rope Length m
1	445	3.6	2.7	12.7
2	352	4.6	3.4	28.8
3	291	5.5	4.1	48.3
4	248	6.5	4.9	71.0
5	214	7.4	5.6	97.2



Your Winch Industries Distributor is:



Winch Industries Pty Ltd  
2 Coin Street  
Moorooka Qld 4105  
PO Box 206  
Acacia Ridge Qld 4110  
Ph: (07) 3875 1568  
Fx: (07) 3277 4316  
www.winch.com.au