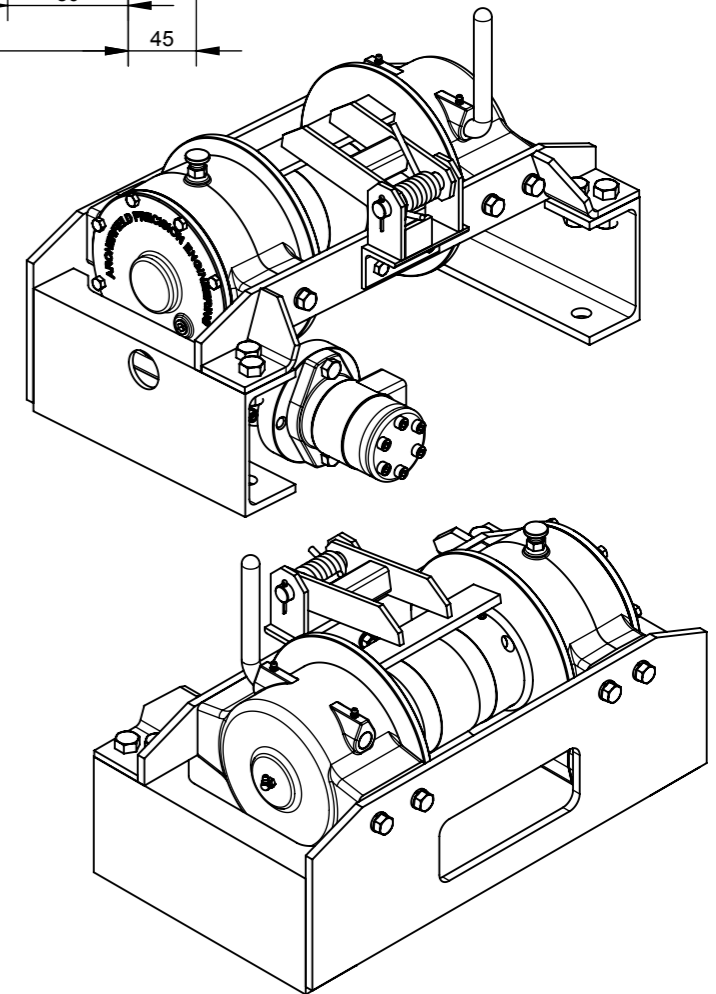
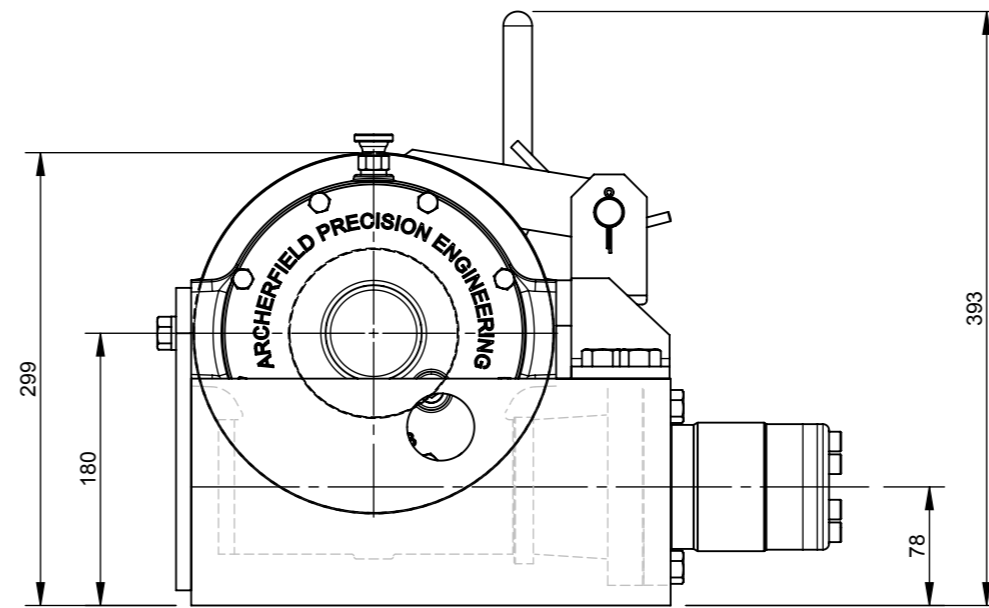
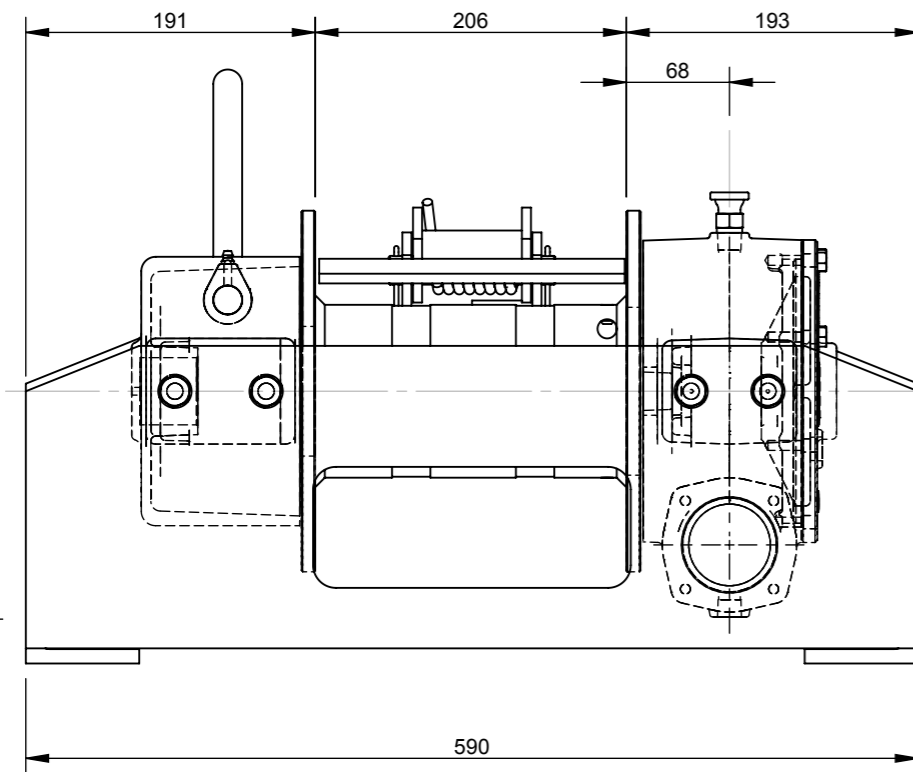


SECTION A-A
HOLD DOWN DETAIL



GEARS AND WINCHES

2 COIN ST MOOROOKA QLD 4105
PO BOX 206 ACACIA RIDGE QLD 4110
Ph (07) 3875 1568
Fx (07) 3277 4316
Email admin@winch.com.au

COPYRIGHT RESERVED. The design detailed on this drawing is the property of Archerfield Precision Engineering and must be returned on demand. It is issued on the strict condition that except with our written permission it must not be copied or communicated to any third party, nor is it to be used for any purpose other than for which it was issued.

DRAWN	RCT	26-9-12
CHECKED		
MATERIAL		
MATERIAL NOTES		
FINISH		
DATE PRINTED	WEIGHT	SCALE
2/10/2012	66.8 Kg	1:5

W10-600 BASE MOUNT WINCH
HYDRAULIC RIGHT HAND
DN100 x 206 DRUM
GENERAL ASSEMBLY

FOR MANUFACTURE

SHEET No.	1 OF 1	DWG No	W10-0050-0
SCALE		- REV	

DWG No	REFERENCES	REV	DATE	DESCRIPTION	DRAWN	CHECK	APPD
1	2	3	4	5	6	7	8
		0	26/09/12	FOR MANUFACTURE	RCT		