

# 12V OR 24V ELECTRIC MAG 12 LOW MOUNT WINCH

A compact, versatile, heavy duty winch. Ideal for application such as:

- Recovery
- Tilt trays and slide backs
- Telecommunications
- Mine Sites
- Logging
- Tractors



**PROUDLY MADE IN  
AUSTRALIA  
FULL 2 YEAR WARRANTY**

12v or 24v electric drive.

Complete with reversing solenoid control pack with plug in hand control.

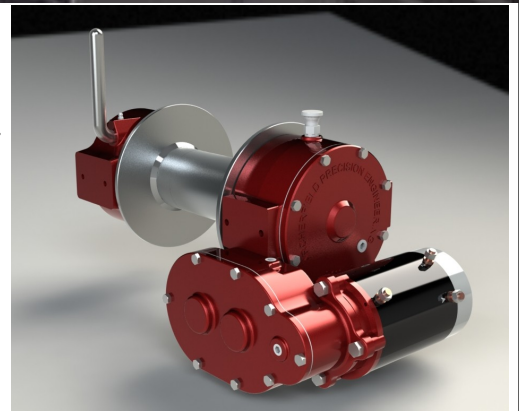
Optional wireless remote control .

Lever operated dog clutch. Large drum diameter to extend rope life.

Drag brake on the drum to prevent wire rope ballooning when freewheeling.

Optional wire rope, wormbrake and various mounting angles are available.

We can produce custom designs if the standard winch just won't do.



## SPECIFICATIONS

Capacity: 53.5 kN (12,000 lb)

Weight: 45kg (without rope)

Ratio: 570:1

Rec. Wire Rope: 30m x Ø10mm

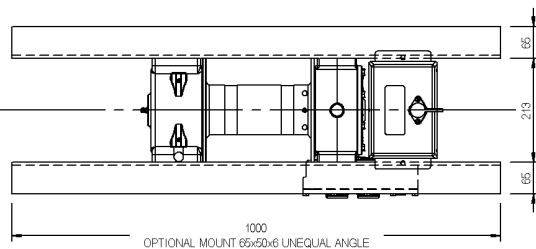
Max Wire Rope: 69m x Ø10mm  
on 291 mm drum

214 mm drum is standard

PERFORMANCE				
	12 Volt		24 Volt	
Bare Drum (Layer 1)				
Line Pull	No Load	53.5 kN	No Load	53.5 kN
Line Speed	3.9 m/min	1.2 m/min	4.1 m/min	1.4 m/min
Current	50 Amps	320 Amps	30 Amps	220 Amps
Full Drum (Layer 5)				
Line Pull	No Load	37.2 kN	No Load	37.2 kN
Line Speed	5.8 m/min	1.8 m/min	6.1 m/min	2.1 m/min
Current	50 Amps	320 Amps	30 Amps	220 Amps



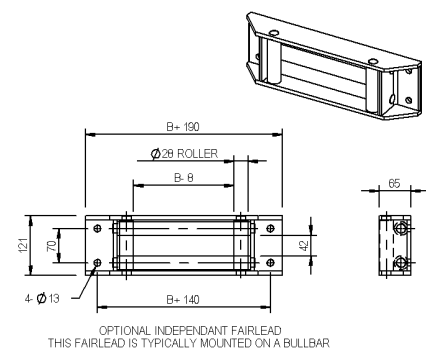
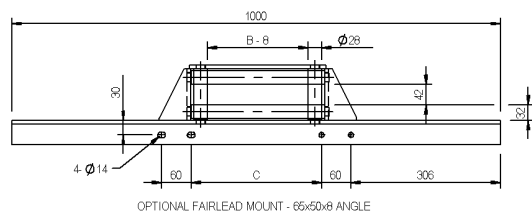
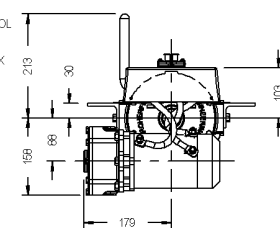
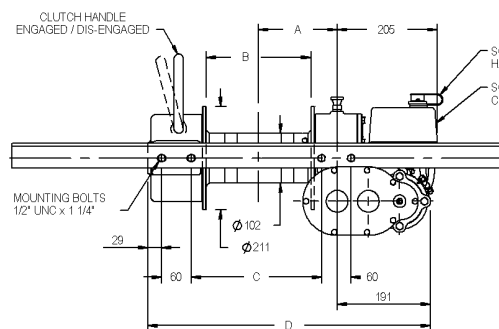
All our winches feature hardened and ground worms and bronze worm wheels for long service and reliability.



DIMENSIONS ARE IN mm  
ANGLE MOUNTS ARE OPTIONAL  
STANDARD DRUM DIAMETER ON ALL MODELS IS 102 mm

WINCH MODEL	A	B	C	D
291mm DRUM	198	291	343	655
214mm DRUM	160	214	267	579
138mm DRUM	122	138	191	503

ROPE LENGTH CAPACITY				
LAYER	PITCH Ø mm	291mm DRUM	214mm DRUM	138mm DRUM
		CUMMULATIVE LENGTH m	CUMMULATIVE LENGTH m	CUMMULATIVE LENGTH m
1	112	10.2	7.5	4.9
2	132	22.3	16.4	10.6
3	152	36.2	26.6	17.2
4	172	51.9	38.2	24.6
5	192	69.5	51.1	32.9



Your Winch Industries Distributor is:

**A.P.E.  
WINCH**

Winch Industries Pty Ltd  
2 Coin Street  
Moorooka Qld 4105  
PO Box 206  
Acacia Ridge Qld 4110  
Ph: (07) 3875 1568  
Fx: (07) 3277 4316  
www.winch.com.au