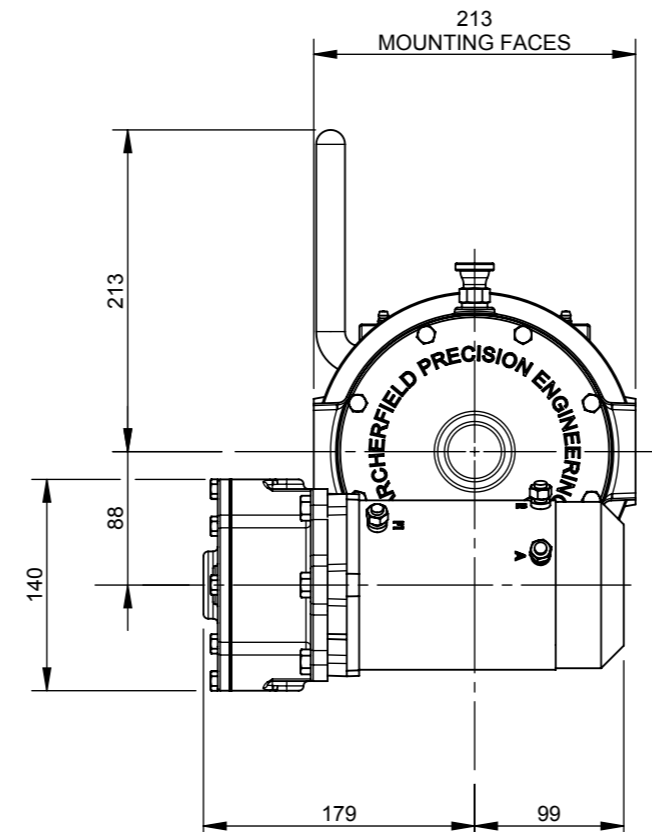


ITEM NO.	QTY.	DESCRIPTION	PART NUMBER	Length	ITEM NO.	QTY.	DESCRIPTION	PART NUMBER	Length
45	1	SOCKET SET SCREW 1/4"-28 UNF x 5/16"			1	1	WORMBOX HOUSING	W8-0101	
46	3	THRUST WASHER	W8-0916	1.9	2	5	BUSH - WORMBOX HOUSING	W8-0700	31.8
47	1	KEY - IMPERIAL		3/16" SQ x 1 1/2"	3	1	1 1/4" DRUM SHAFT - 9" DRUM	W8-0551	419.1
48	1	WOODRUFF KEY R B17.2-606		3/16" x 3/4"	4	2	KEY - IMPERIAL		5/16" SQ x 1.115"
49	1	O-RING			5	1	WORMWHEEL HUB	W8-0440	28.6
50	4	SOCKET HEAD CAP SCREW 5/16"-18 UNC x 1 5/8"			6	1	WORMWHEEL	W8-0420	30.2
51	2	PLUG - HEX SOCKET		3/8" BSPT	7	1	WORMBOX COVER GASKET	W8-0802	0.8
52	1	BREATHER 3/8" BSPT			8	1	WORMBOX COVER	W8-0151	
53	1	GREASE NIPPLE 1/4" UNC 90 Degree			9	1	WORM - ELECTRIC	W8-0404	238.2
54	2	GREASE NIPPLE 1/4" UNC STRAIGHT			10	2	ANGULAR CONTACT BALL BEARING 7304-B 20*52*15		
55	6	HEX HEAD SET SCREW 5/16"-18 UNC x 3/4"	HHSS 0.3125-18x0.75		11	1	KEY - IMPERIAL		3/16" SQ x 5/8"
56	4	HEX HEAD SET SCREW 5/16"-18 UNC x 1"	HHSS 0.3125-18x1		12	1	Circlip DIN 471 - 19 x 1.2		



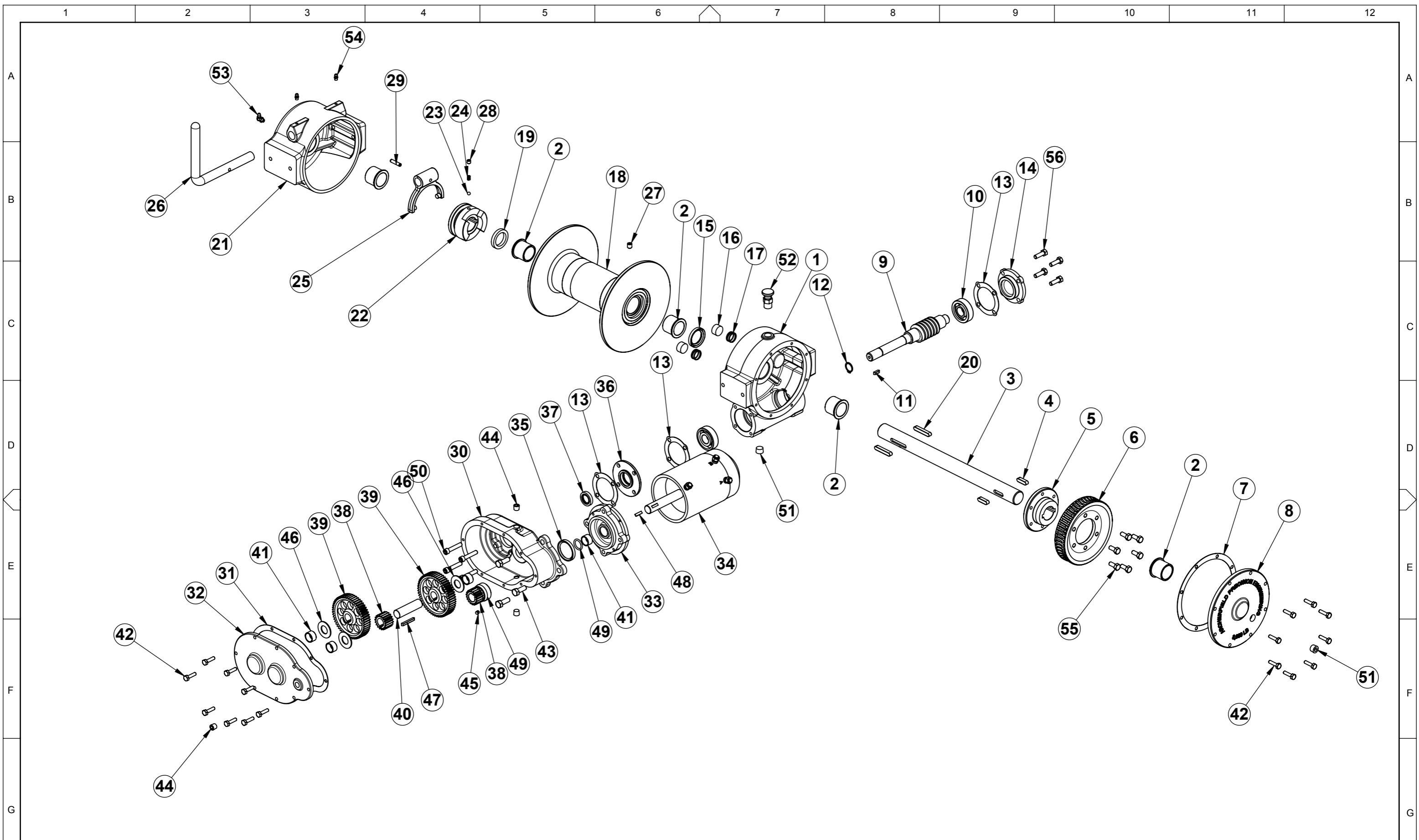
13	3	WORMSHAFT CAP GASKET	W8-0800	Ø83.3	14	1	WORMSHAFT CAP - BLIND	W8-0200	
15	1	OIL SEAL	CR12340	1.25x1.75x0.25	15	1	DRAG BRAKE PAD	W8-0640	12
16	2	DRAG BRAKE SPRING	W8-0641		16	2	DRAG BRAKE SPRING	W8-0641	
17	1	WINCH DRUM - DN80 x 9"	W8-0501	228.6	17	1	DRUM SHAFT SPACER	W8-0590	7.1
18	1	DOG CLUTCH HOUSING	W8-0251		18	2	KEY - IMPERIAL		5/16" SQ x 1 7/8"
19	1	DOG CLUTCH - 1 1/4" SHAFT	W8-0610	45.0	19	1	DOG CLUTCH HOUSING	W8-0251	
20	1	1/4" BEARING BALL			20	1	DOG CLUTCH - 1 1/4" SHAFT	W8-0610	45.0
21	1	DOG CLUTCH DETENT SPRING	W8-0631	0.33	21	1	1/4" BEARING BALL		
22	1	DOG CLUTCH FORK	W8-0270		22	1	DOG CLUTCH DETENT SPRING	W8-0631	0.33
23	1	DOG CLUTCH HANDLE	W8-0271	315	23	1	DOG CLUTCH FORK	W8-0270	
24	1	SOCKET SET SCREW 3/8"-24 UNF x 7/16"			24	1	DOG CLUTCH HANDLE	W8-0271	315
25	1	SOCKET SET SCREW 5/16"-18 UNC x 5/16"			25	1	SOCKET SET SCREW 3/8"-24 UNF x 7/16"		
26	1	SPRING PIN 1/4" x 1 1/8"			26	1	SOCKET SET SCREW 5/16"-18 UNC x 5/16"		
27	1	REDUCTION GEAR CASE HOUSING	W8-0901		27	1	SPRING PIN 1/4" x 1 1/8"		
28	1	MOTOR ADAPTOR GASKET	W8-0903		28	1	REDUCTION GEAR CASE HOUSING	W8-0901	
29	1	HOUSING COVER	W8-0902		29	1	MOTOR ADAPTOR GASKET	W8-0903	
30	1	ELECTRIC MOTOR ADAPTOR	W8-0904	60.6	30	1	HOUSING COVER	W8-0902	
31	1	ELECTRIC MOTOR - 12V	W8-0930		31	1	ELECTRIC MOTOR ADAPTOR	W8-0904	60.6
32	1	OIL SEAL	CR14807	1.5x1.875x0.25	32	1	ELECTRIC MOTOR - 12V	W8-0930	
33	1	SPACER	W8-0905	11.1	33	1	OIL SEAL	CR14807	1.5x1.875x0.25
34	1	OIL SEAL	CR7440	0.75x1.25x0.25	34	1	SPACER	W8-0905	11.1
35	2	IDLER PINION	W8-0911	22	35	1	OIL SEAL	CR7440	0.75x1.25x0.25
36	2	IDLER GEAR	W8-0912	17.5	36	2	IDLER PINION	W8-0911	22
37	1	IDLER SHAFT	W8-0913	69.2	37	2	IDLER GEAR	W8-0912	17.5
38	4	BUSH	W8-0915	12.7	38	1	IDLER SHAFT	W8-0913	69.2
39	16	HEX HEAD BOLT 1/4"-20 UNC x 1"			39	4	BUSH	W8-0915	12.7
40	3	HEX HEAD SET SCREW 3/8"-24 UNF x 1"	HHSS 0.3125-18x0.75		40	16	HEX HEAD BOLT 1/4"-20 UNC x 1"		
41	3	PLUG - HEX SOCKET		1/4" BSPT	41	3	HEX HEAD SET SCREW 3/8"-24 UNF x 1"	HHSS 0.3125-18x0.75	
42	3	PLUG - HEX SOCKET		1/4" BSPT	42	3	PLUG - HEX SOCKET		1/4" BSPT

DWG No	REFERENCES	REV	DATE	DESCRIPTION	DRAWN	CHECK	APPD
1	2	3	4	5	6	7	8
		0	26/03/11	FIRST ISSUE		RCT	

GEARS AND WINCHES
 2 COIN ST MOOROOKA QLD 4105
 PO BOX 206 ACACIA RIDGE QLD 4110
 Ph (07) 3875 1568
 Fx (07) 3277 4316
 Email admin@winch.com.au

COPYRIGHT RESERVED. The design detailed on this drawing is the property of Archerfield Precision Engineering and must be returned on demand. It is issued on the strict condition that except with our written permission it must not be copied or communicated to any third party, nor is it to be used for any purpose other than for which it was issued.

DRAWN	RCT	20-08-10	8,000 LB ELECTRIC WINCH			
CHECKED			EW8 x 214 mm DRUM			
MATERIAL			12 VOLT DC			
MATERIAL NOTES						
FINISH						
DATE PRINTED	WEIGHT	SCALE	SHEET No.	DWG No	- REV	
26/03/2011	35.2 Kg	1:5	1 OF 2	W8-0064-0		



				GEARS AND WINCHES			DRAWN RCT 20-08-10		8,000 LB ELECTRIC WINCH EW8 x 214 mm DRUM 12 VOLT DC						
				2 COIN ST MOOROOKA QLD 4105 PO BOX 206 ACACIA RIDGE QLD 4110 Ph (07) 3875 1568 Fx (07) 3277 4316 Email admin@winch.com.au			CHECKED								
							MATERIAL								
							MATERIAL NOTES								
							FINISH								
DWG No		REFERENCES		REV	DATE	DESCRIPTION	DRAWN	CHECK	APPD	DATE PRINTED	WEIGHT	SCALE	SHEET No.	DWG No	- REV
1	2	3	4	5	6	7	8	9	10	11	12	13	14	15	16
		0	26/03/11	FIRST ISSUE			RCT			26/03/2011	35.2 Kg	1:7.5	2 OF 2		W8-0064-0

COPYRIGHT RESERVED. The design detailed on this drawing is the property of Archerfield Precision Engineering and must be returned on demand. It is issued on the strict condition that except with our written permission it must not be copied or communicated to any third party, nor is it to be used for any purpose other than for which it was issued.