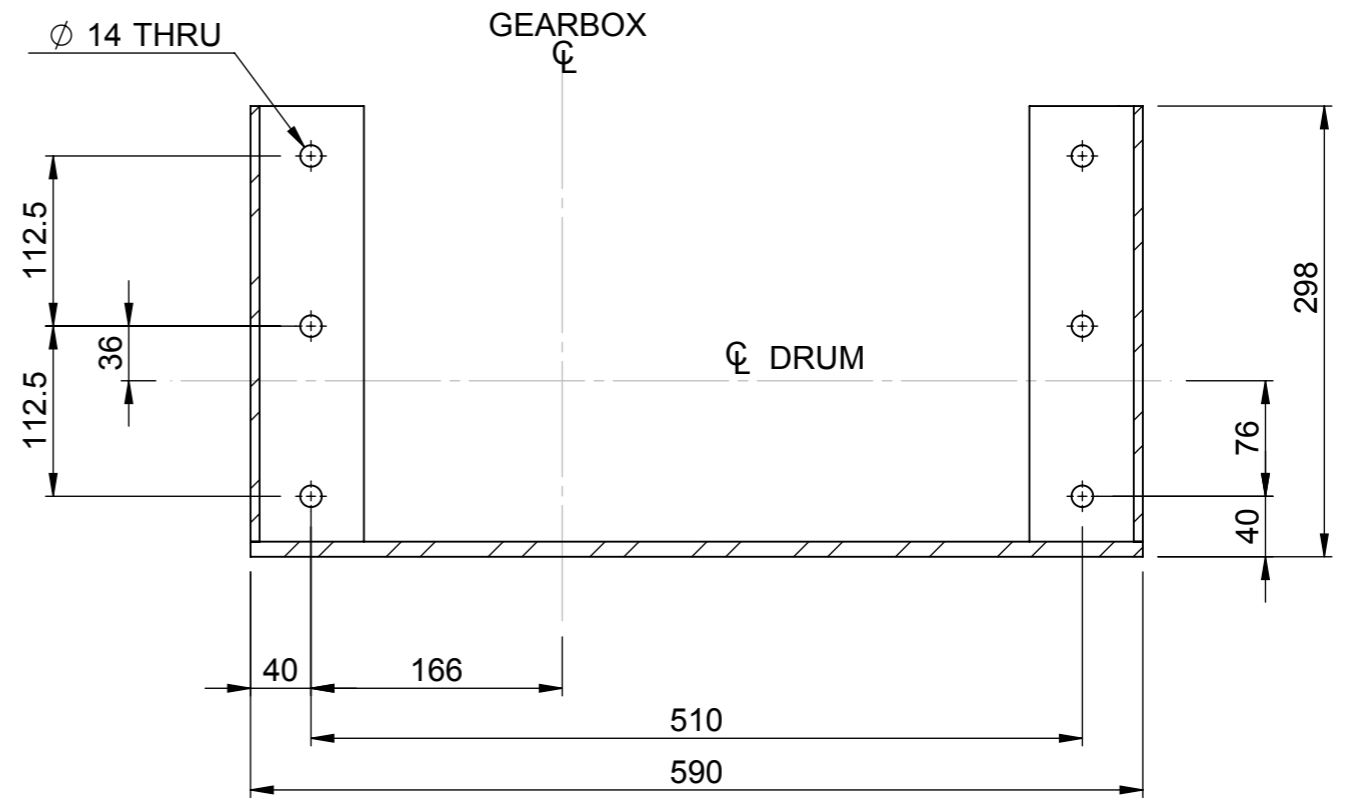
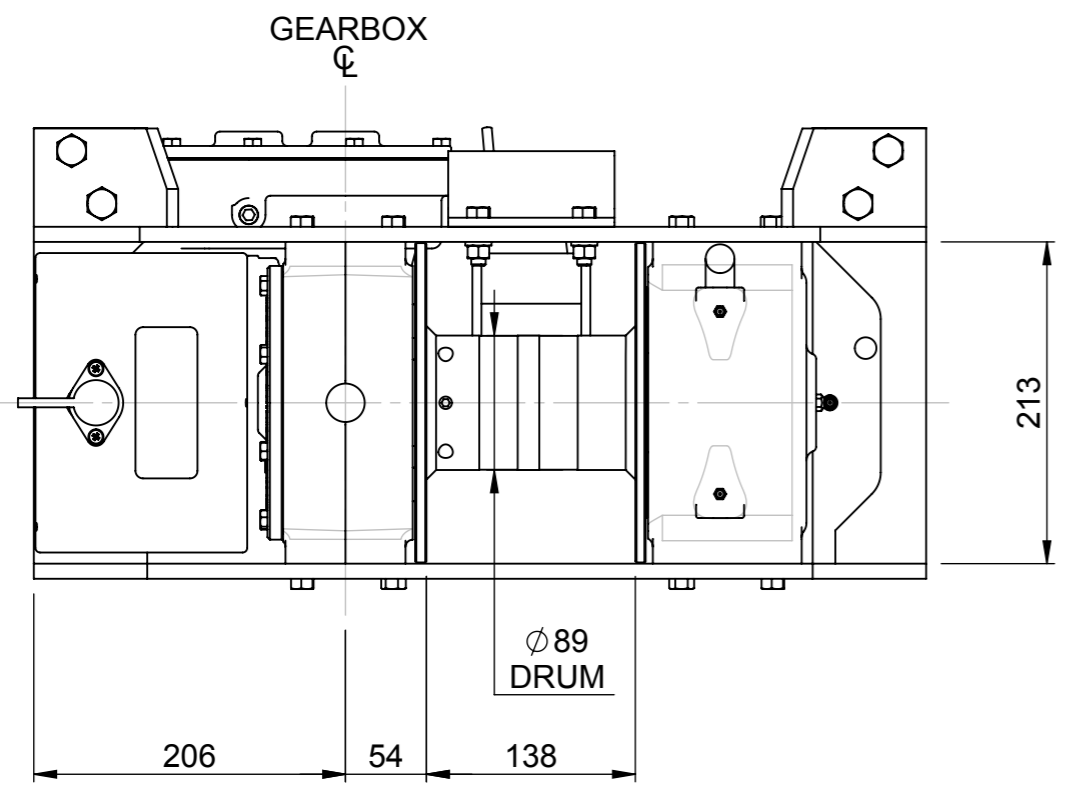
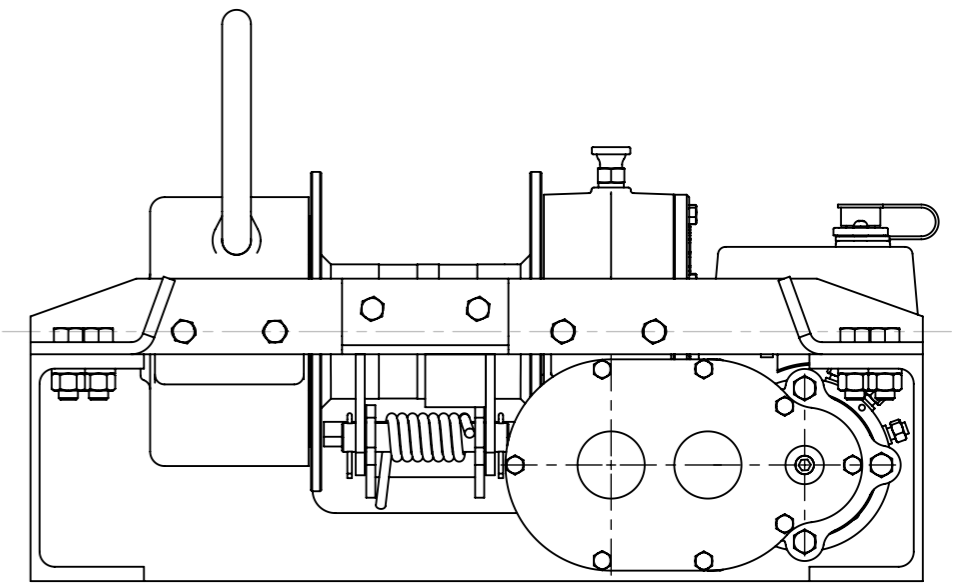
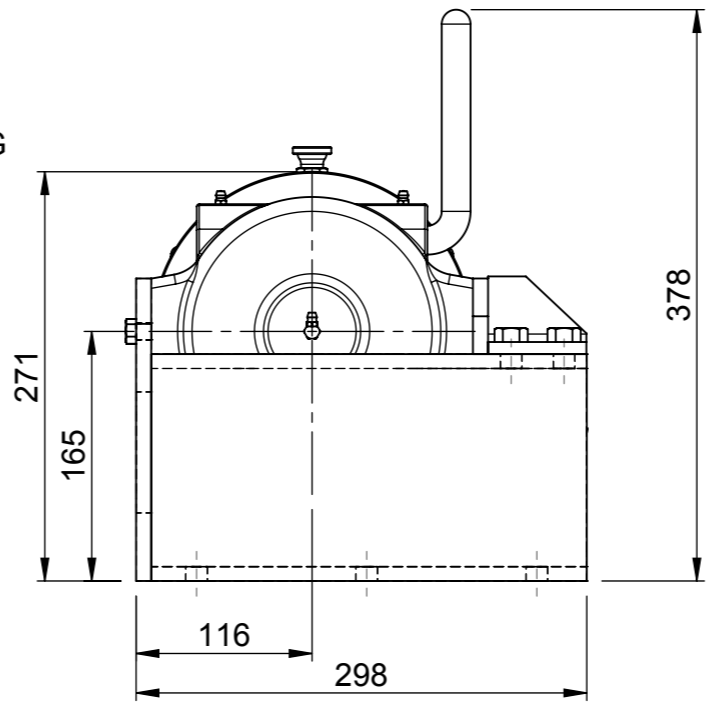
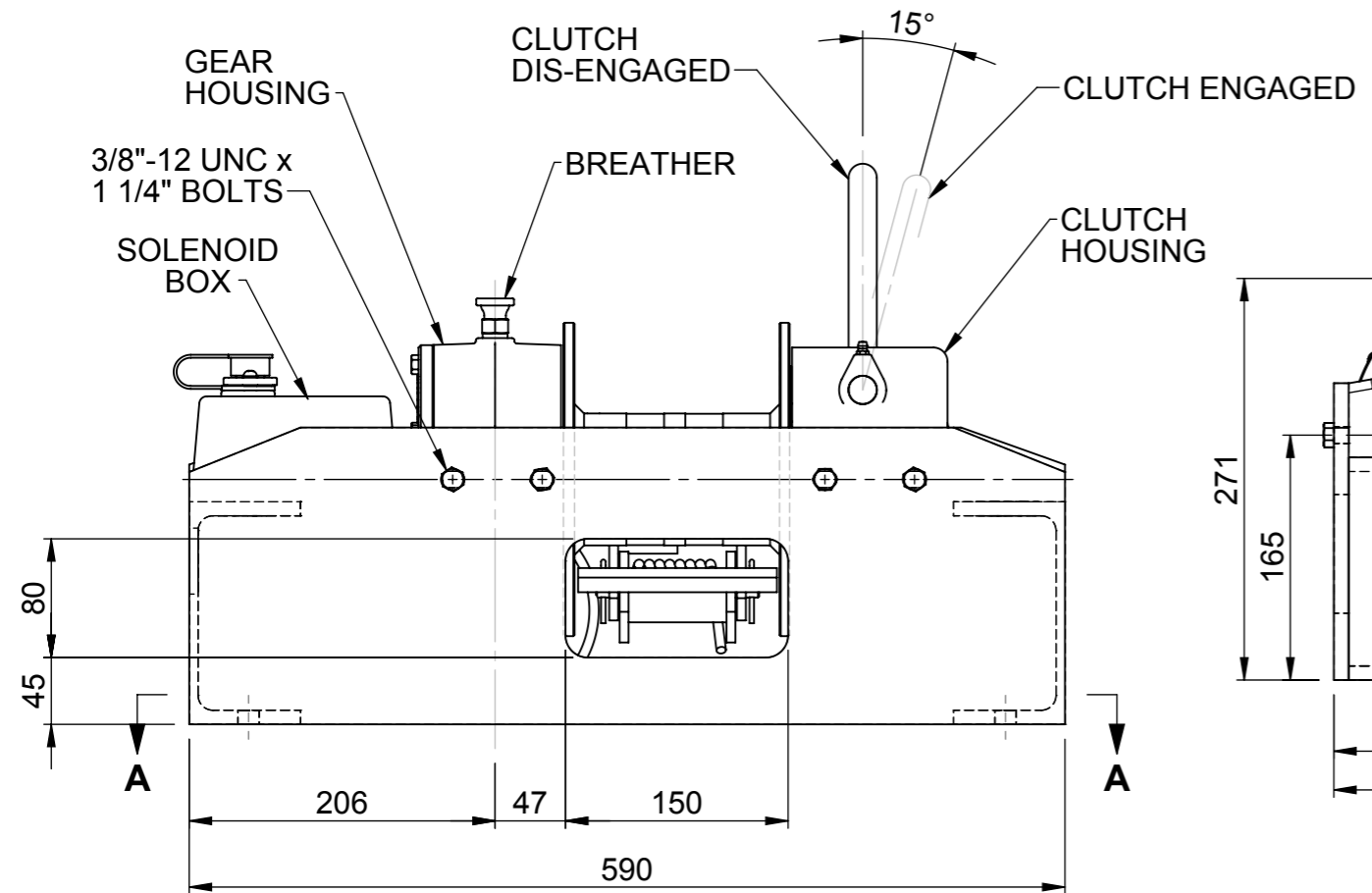


1 2 3 4 5 6 7 8 9 10 11 12

A B C D E F G H



**SECTION A-A**  
 HOLD DOWN DETAIL



DWG No	REFERENCES	REV	DATE	DESCRIPTION	DRAWN	CHECK	APPD
1	2	3	4	5	6	7	8

**GEARS AND WINCHES**  
 2 COIN ST MOOROOKA QLD 4105  
 PO BOX 206 ACACIA RIDGE QLD 4110  
 Ph (07) 3875 1568  
 Fx (07) 3277 4316  
 Email admin@winch.com.au

COPYRIGHT RESERVED. The design detailed on this drawing is the property of Archerfield Precision Engineering and must be returned on demand. It is issued on the strict condition that excepted with our written permission it must not be copied or communicated to any third party, nor is it to be used for any purpose other than for which it was issued.

DRAWN	RCT	09-07-12	EW8-600 BASE MOUNT WINCH	
CHECKED			ELECTRIC LEFT HAND	
MATERIAL			DN80 x 6" DRUM	
MATERIAL NOTES			12V or 24V DC MOTORS	
FINISH			<b>FOR MANUFACTURE</b>	
DATE PRINTED	WEIGHT	SCALE	SHEET No.	DWG No
2/10/2012	58.7 Kg	1:5	1 OF 1	EW8-0064-0

- REV

1 2 3 4 5 6 7 8 9 10 11 12 A3