

12V OR 24V DC ELECTRIC EW8-600 BASE MOUNTED WINCH

The rugged and dependable EW8 electric winch in a heavy duty base mounted steel frame. Engineered for long and reliable service in many situations.

- Heavy Load Positioning
- Recovery
- Telecommunications

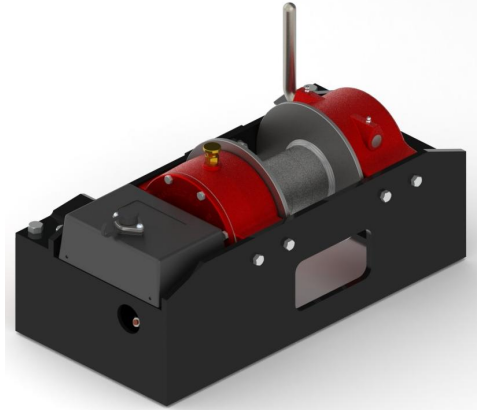
12v or 24v electric drive.

Complete with reversing solenoid control pack with plug in hand control. Optional wireless remote control .

Lever operated dog clutch. Large drum diameter to extend rope life. Drag brake and spring loaded rope leveller on the drum to control wire rope ballooning. Wire rope can be supplied as an option. We can produce custom designs if the standard winch just won't do.



**PROUDLY MADE IN
AUSTRALIA
FULL 2 YEAR WARRANTY**



SPECIFICATIONS

Capacity: 35.6 kN (8,000 lb)

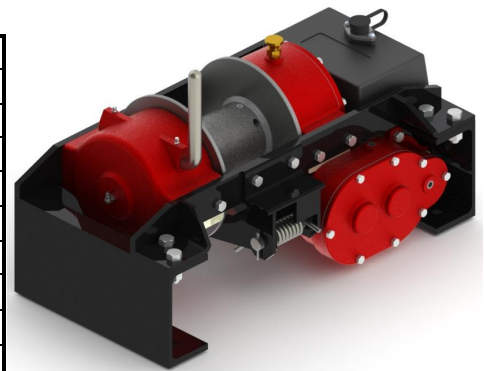
Weight: 60kg (without rope)

Ratio: 462:1

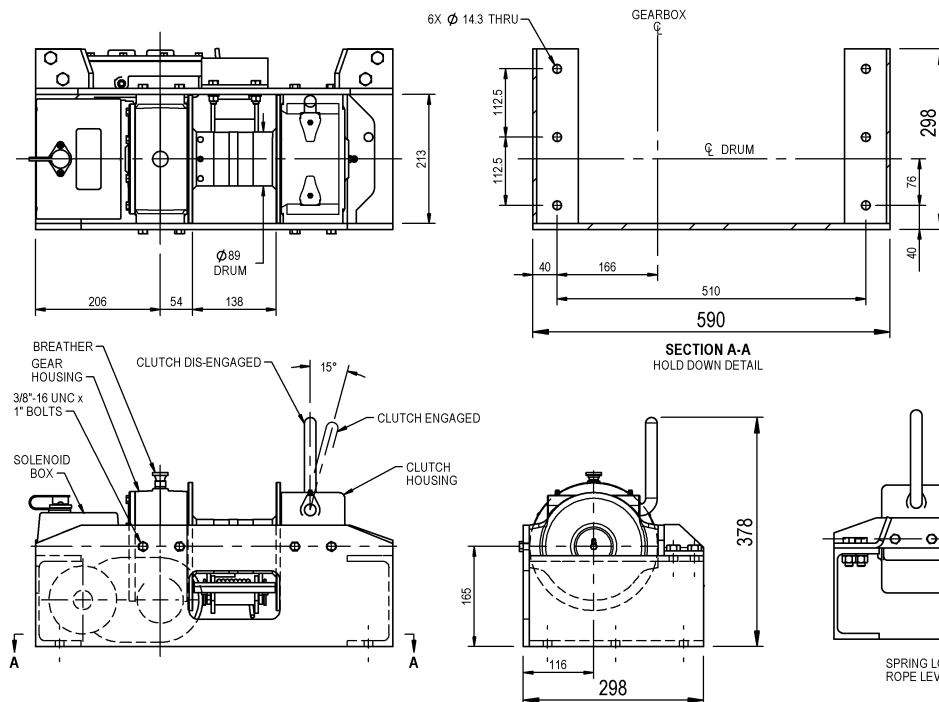
Rec. Wire Rope: 26m x Ø8mm

ROPE LENGTH CAPACITY		
LAYER	PITCH Ø (mm)	CUMMULATIVE LENGTH (m)
1	97	5.3
2	113	11.4
3	129	18.4
4	145	26.2
5	161	35.0

PERFORMANCE				
	12 Volt		24 Volt	
Bare Drum (Layer 1)				
Line Pull	No Load	35.6 kN	No Load	35.6 kN
Line Speed	3.9 m/min	1.2 m/min	4.1 m/min	1.4 m/min
Current	50 Amps	250 Amps	30 Amps	120 Amps
Full Drum (Layer 5)				
Line Pull	No Load	23.8 kN	No Load	23.8 kN
Line Speed	5.8 m/min	1.8 m/min	6.1 m/min	2.1 m/min
Current	50 Amps	250 Amps	30 Amps	120 Amps



All our winches feature hardened and ground worms and bronze worm wheels for long service and reliability.



Your Winch Distributor is:

**GEARS AND
WINCHES**

GEARS AND WINCHES

A registered trading name of
Winch Industries Pty Ltd
2 Coin Street
Moorooka Qld 4105
Ph: (07) 3875 1568
Fx: (07) 3277 4316
www.winch.com.au