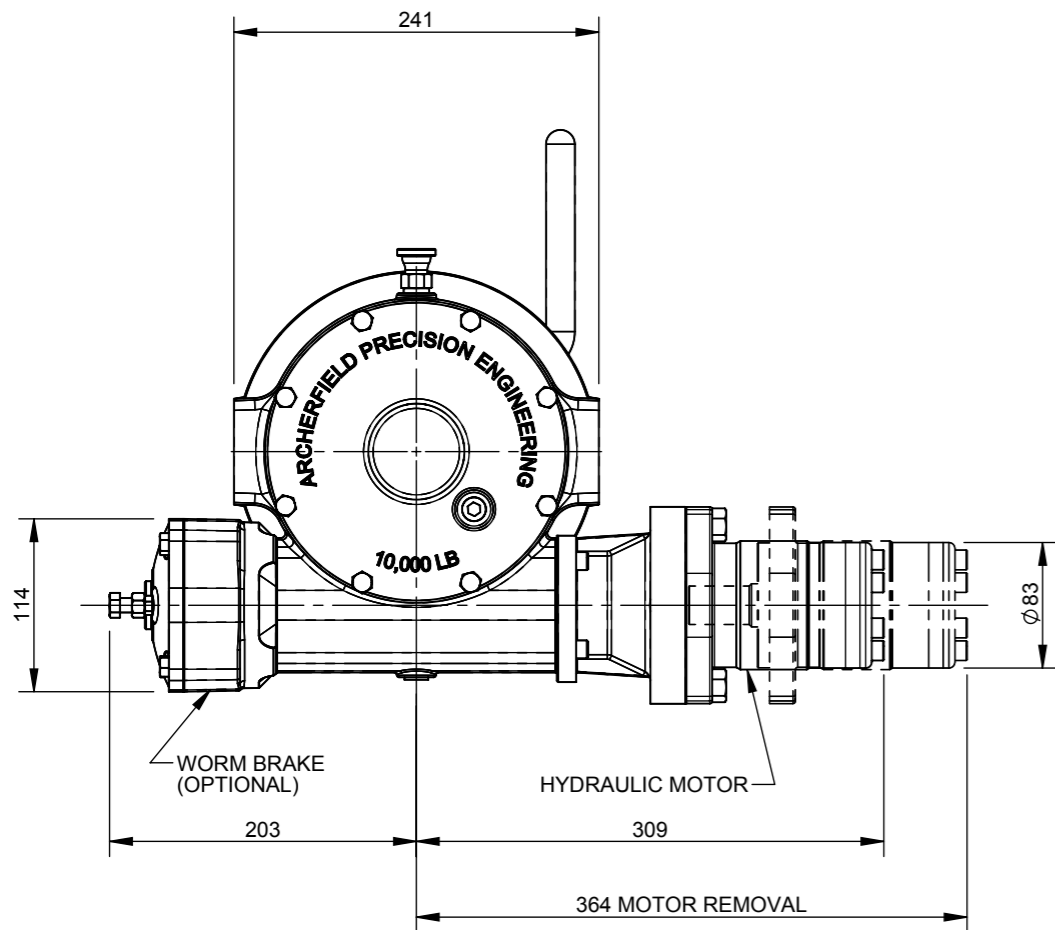
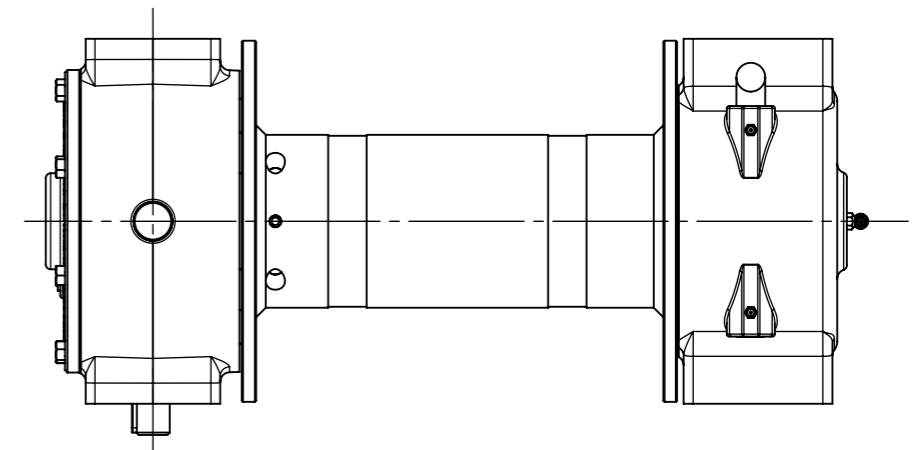
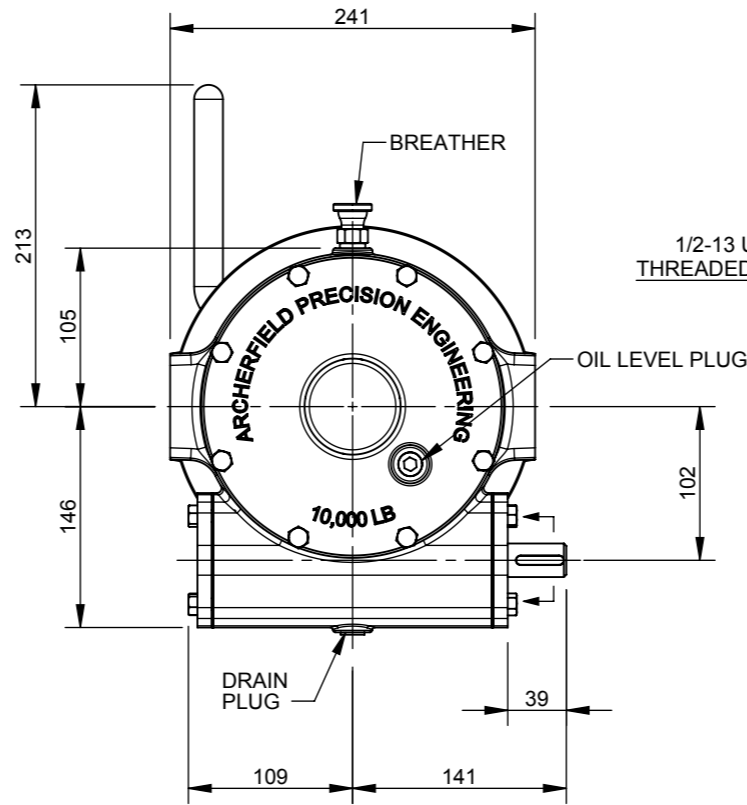


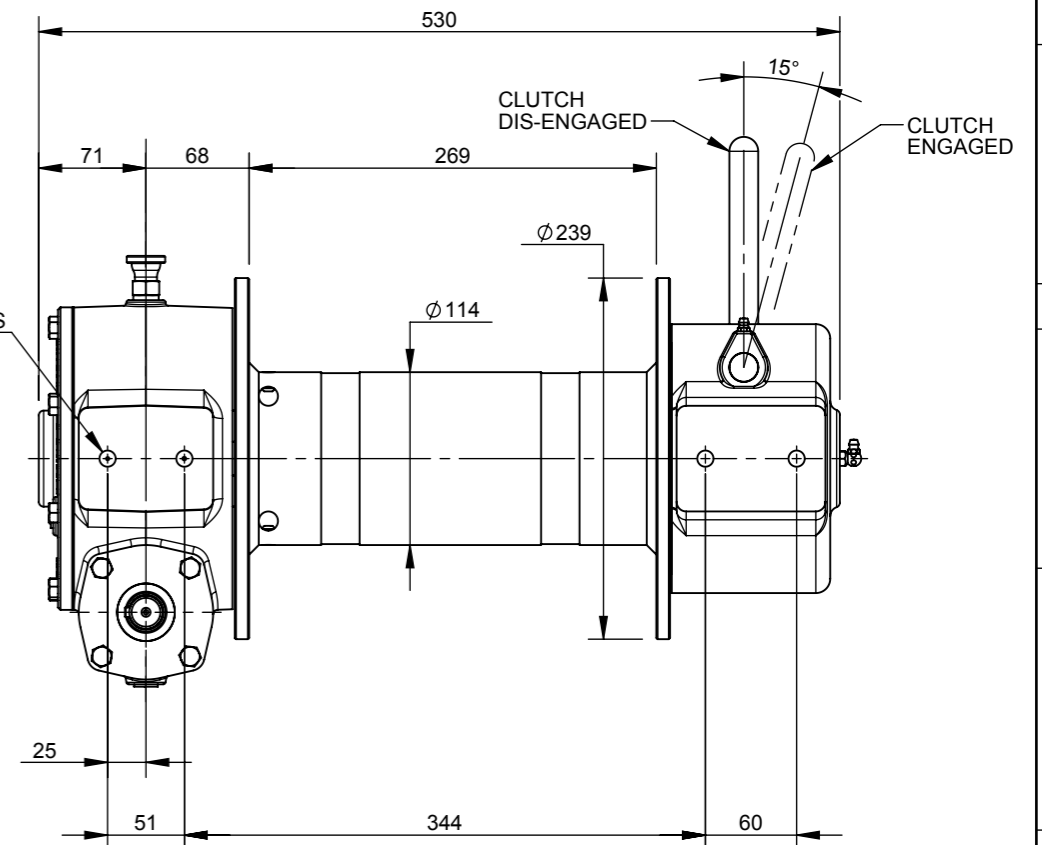
MECHANICAL WINCH
INPUT SHAFT



HYDRAULIC WINCH



MECHANICAL WINCH



DWG No	REFERENCES	REV	DATE	DESCRIPTION	DRAWN	CHECK	APPD
1	2	3	4	5	6	7	8

GEARS AND WINCHES
 2 COIN ST MOOROOKA QLD 4105
 PO BOX 206 ACACIA RIDGE QLD 4110
 Ph (07) 3875 1568
 Fx (07) 3277 4316
 Email admin@winch.com.au

COPYRIGHT RESERVED. The design detailed on this drawing is the property of Archerfield Precision Engineering and must be returned on demand. It is issued on the strict condition that excepted to any third party, nor is it to be used for any purpose other than for which it was issued.

DRAWN	RCT	10-04-11
CHECKED		
MATERIAL		
MATERIAL NOTES		
FINISH		
DATE PRINTED	WEIGHT	SCALE
10/04/2011	35.6 Kg	1:5

STANDARD WINCHES		
W10 LOW MOUNT WINCH		
STANDARD DRUM		
BASIC DIMENSIONS		
FOR MANUFACTURE		
SHEET No.	DWG No	- REV
1 OF 1	W10-0010-0	