

Tiger Electric Winch PU Series

The PU model is relatively new to our tiger range, it still has the same wonderful characteristic, compact but strong, beautifully finished and keen to do any job you put in front of it.

The Tiger PU series winches are of planetary design, compact and engineered to exacting standards. Built with a precision and efficient three stage planetary gear box, quality roller bearings feature throughout.

An independent electromagnetic failsafe multi disc brake provides safe, easy load control. The PU Series Tiger winch features, as all Tiger Winches do a low voltage safety control system, 10 metre push button pendant control with Emergency Stop as standard.

BUILT TO COMPLY TO AUSTRALIAN STANDARDS

Applications

These are capable of a endless range of applications

Hauling - including use as a boat ramp winch

General lifting

Lifting sullage pumps

Use in Agricultural environments, water pump installations etc.

STANDARD FEATURES

240V Motor – They are designed with maximum torque in mind.

They have huge duty cycles and are built to be incredibly reliable

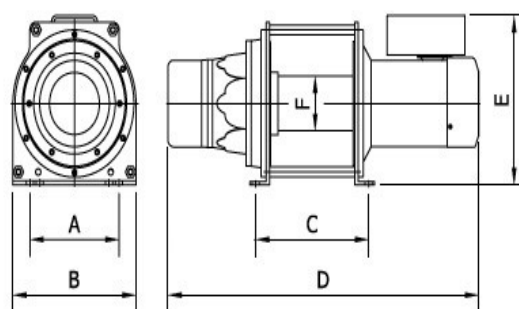
Special expertise is used in the design and manufacture of these motors to suit craning and winch applications.

Pre-wired for 240V Single Phase with 3 pin plug.

Wire rope with safety hook.

Low voltage push button pendant control with 10m lead—everything you

Need to bolt it down and ready for operational use immediately.



		700KG	1000KG	1200KG	2000KG
MODEL		PU-1070-09G07	PU-1100-05H06	PU-1120-10I05	PU-1200-07J07
Speed (M/min)	50HZ	9	4	8	6
Steel Rope		9mmx70M	10mmX60M	12mmX50M	14mmX70M
Voltage		1PH 220~240V	1PH 220~240V	1PH 220~240V	1PH 220~240V
Motor (KW)		1.3	1.3	2.0	2.2
Body dimensions (mm)	A	211	211	211	320
	B	292	292	292	420
	C	268	268	268	283
	D	782	782	790	826
	E	322	322	332	435
	F	105	105	168	168
N.W. (KG)		95	97	180.7	210.7
G.W. (KG)		96.8	98.8	182.7	212.7

Your Winch Industries Distributor is:



GEARS AND WINCHES

A registered trading name of
Winch Industries Pty Ltd
2 Coin Street
Moorooka Qld 4105
Ph: (07) 3875 1568
Fx: (07) 3277 4316
www.winch.com.au

**PLEASE TAKE A MINUTE – THIS MAY SAVE A LIFE
OR AT THE VERY LEAST YOU MIGHT FIND THIS INTERESTING**

We have been selling and servicing Tiger Winches for more than 20 years, they are incredibly durable, safe and fantastic value for money. Your Tiger Winch is fitted with a multi disc brake system which is second to none.

Whichever Tiger Winch model you make yours they all incorporate a safety 24 Volt Pendant Control system with 10 metres of pendant control wire complete with an emergency stop button.

What does all this mean to you and your family

It means you can have absolute confidence and peace of mind when using your tiger winch, if for any reason the power is shorted out or the supply interrupted, or if you have to leave your winching operation for any reason the brakes are applied immediately. You can be assured the multi disc brake safety system will absolutely stop and hold your load.

We have hundreds of these beaut, tough little units in service in some of the most severe circumstances, for example where they are close to water such as pontoons etc. This is where the low voltage controller comes into its own, let's say the controller gets broken and the internal wires are exposed or it is submerged in water, a tingle is all you will receive.

The controller being low voltage 24 Volt power – not 240 or 415 Volt - cannot “hurt” you. Your Tiger Winch is one of the very few to offer this safety system on 240V as well as 415V winches.

For that little added safety and security the pendants on the Tiger Winches have a quick disconnect system so when your winch is not in use, no one else can tapper with it.

WIRELESS REMOTE SYSTEM

Please check out this brilliant option. Your Tiger Winch is so easy to use with this simple option. The best news of all is, as far as we know your Tiger Winch is one of the only winches that offer a completely wireless system whilst retaining your pendant control at the same time. This is fantastic news, if a flat battery may occur in your wireless system, you will still have backup. If a 24V pendant controller is broken, you will still have the wireless opportunity.

DON'T FORGET WE OFFER A FULL 2 YEAR WARRANTY ON ALL OUR PRODUCTS

Your Winch Industries Distributor is:

GEARS AND WINCHES

GEARS AND WINCHES

A registered trading name of
Winch Industries Pty Ltd
2 Coin Street
Moorooka Qld 4105
Ph: (07) 3875 1568
Fx: (07) 3277 4316
www.winch.com.au

BOAT RAMP WINCH APPLICATIONS QUICK GUIDE

MAXIMUM BOAT MASS*

TIGER WINCH MODELS	SLOPE RAMP GRADIENT			
	5° 1 M FALL OVER 12 M DISTANCE	12.5° STANDARD BOAT RAMP 1 M FALL OVER 4.5 DISTANCE	15° 1 M FALL OVER 3.75 DISTANCE	27° 1 M FALL OVER 2 MDISTANCE
JV-1020-13D03	2200KG	900KG	750KG	400KG
JV-1025-13D03	2750KG	1100KG	950KG	500KG
JC-1025-16D05	2750KG	1100KG	950KG	500KG
JC-1025-17D12	2750KG	1100KG	950KG	500KG
JV-1030-13D03	3250KG	1300KG	1100KG	650KG
JC-1030-16D05	3250KG	1300KG	1100KG	650KG
JC-1050-21F05	5000KG	2100KG	1800KG	1100KG
JC-1050-16F03	5000KG	2100KG	1800KG	1100KG
RC-1050-25F10	5000KG	2100KG	1800KG	1100KG
PU-107-10G07	7000KG	3000KG	2500KG	1500KG
PU-1100-05H06	10,000KG	4200KG	3600KG	2200KG
PU-1120-10I105	12,000KG	5000KG	4300KG	2650KG
PU-1200-07J07	20,000KG	8400KG	7200KG	4400KG
BLUE WINCH MODELS				
AM1026B	8000KG	3600KG	3000KG	1800KG
AM2026B	15,000KG	6750KG	5750KG	3600KG

Your Winch Industries Distributor is:


**GEARS AND
WINCHES**

GEARS AND WINCHES

A registered trading name of
Winch Industries Pty Ltd
2 Coin Street
Moorooka Qld 4105
Ph: (07) 3875 1568
Fx: (07) 3277 4316
www.winch.com.au